



Stairfriend

Curved Stairlift

PLANNING GUIDE

Applicable Codes:

ASME A18.1

CAN/CSA B613

**Part No. 000967
01-m11-2018**

Copyright © 2018
Savaria Concord Lifts, Inc.
All rights reserved.

Printed in Canada

Purpose of This Guide

This guide assists architects, contractors, and lift professionals to incorporate the Stairfriend curved stairlift into a residential or public building design.

The design and manufacture of the Stairfriend Stairlift meets the requirements of the following codes and standards:

- ASME A18.1-2003 Section 4 (Public)
- ASME A18.1-2005 Section 4 (Public)
- ASME A18.1-2008 Section 4 (Public)
- ASME A18.1-2011 Section 4 (Public)
- ASME A18.1-2014 Section 4 (Public)
- ASME A18.1-2017 Section 4 (Public)
- ASME A18.1-2003 Section 7 (Private)
- ASME A18.1-2005 Section 7 (Private)
- ASME A18.1-2008 Section 7 (Private)
- ASME A18.1-2011 Section 7 (Private)
- ASME A18.1-2014 Section 7 (Private)
- ASME A18.1-2017 Section 7 (Private)
- CAN/CSA B355 S1-02 (Public)
- CAN/CSA B355-09 (Public)
- CAN/CSA B613-2000 (Private)

We recommend that you contact your local authority having jurisdiction to ensure that you adhere to all local rules, regulations and fire regulations pertaining to curved stairlifts.

IMPORTANT: This Planning Guide provides nominal dimensions and specifications useful for the initial planning of a stairlift project. **Dimensions and specifications are subject to change without notice due to continually evolving code and product applications.**

Before beginning installation, please consult Savaria Corporation or the authorized Savaria dealer in your area to ensure you receive your site-specific installation drawings with the dimensions and specifications for your project.

Visit our website for the most recent drawings and dimensions.

How to Use This Guide

- 1 Determine your client's intended use of the lift.
- 2 Determine the local code requirements.
- 3 Determine the site installation parameters.
- 4 Plan for electrical requirements.

History

November 19, 2013 – Initial release

February 19, 2014 – Revised picture on page 14

March 5, 2014 – Revised picture on page 12

June 18, 2014 – New drawings on pages 13, 16, and 18 to 22

July 8, 2014 – Revised drawings on pages 17 and 18

July 17, 2014 – Revised pages 5, 6, 11, 13, 14, 15, 17, 20 and 21

November 5, 2014 – Revised Applicable Codes on page 3

January 20, 2015 – Added 2014 codes in section above

February 27, 2015 – Revised load diagram on page 12

March 20, 2015 – Revised turning clearances drawing on page 17

March 27, 2015 – Added new drawings on pages 23 to 41

July 9, 2015 – Revised lower landing drawing on page 19

September 24, 2015 – Added Daily Cycle to specifications on page 6

December 1, 2015 – Revised Turning Clearances on page 17

March 8, 2016 – Removed copyright from cover page; Savaria Corporation back to Savaria Concord Lifts, Inc.

September 27, 2018 – Added ASME 18.1-2017 to code list on this page

November 1, 2018 - Added important note on page 11 re: installation of infill panels/barrier

Contents

Description of the lift	5
Features and benefits	5
Specifications of the lift	6
Lift components (V-seat)	7
Lift components (L-seat)	8
Guide rails	9
Safety features	10
Obstruction sensors	10
Key switch	10
Power switch	10
Overspeed governor	10
End stops	10
Manual lowering handwheel	10
Site verification	11
Stairway	11
Minimum overhead clearance	11
Construction site	11
Dimensions	11
Installation	11
Provision by others	11
Electrical requirements	12
General	12
Main power supply	12
Lighting	12
Clearance	12
Folding/unfolding	12
Structural requirements	13
Floor/support wall loads	13
Support load diagram	13
General chair/rail dimensions	14
Folded/unfolded dimensions (V-seat)	15
Folded/unfolded dimensions (L-seat)	16
Curve dimensions	17
Turning clearances	18
Overhead and stairway clearances	19
Lower landing (normal start)	20
Lower landing (steep start)	21
Upper landing (stop at edge of last step)	22
Upper landing (stop behind edge of last step on horizontal)	23
Configurations (sheet 1)	24
Configurations (sheet 2)	25
Configurations (sheet 3)	26
Configurations (sheet 4)	27
Overrun and parking	28
Straight stair	29
Straight stair (intermediate landing)	30
Spiral stair inside rail	31
Spiral stair outside rail	32
90 degree inside rail LH	33
90 degree inside rail RH	34
90 degree outside rail LH	35
90 degree outside rail RH	36
180 degree inside rail LH	37
180 degree inside rail RH	38
180 degree outside rail LH	39
180 degree outside rail RH	40
180 degree stair 3 flights inside rail RH	41
180 degree 3 flights outside rail RH	42

Description of the lift

The Stairfriend curved stairlift is designed to be installed on stairs that feature a curve, an intermediate landing, or when out-of-the-way parking is desired.

The stairlift features a double-rail system for strength and durability and provides a smooth, comfortable ride. The seat features an open, lower back design for excellent comfort while riding in the chair. The list is easy to operate with controls on the armrest as well as two included radio frequency remote controls.

Savaria custom bends the rail to your exact specifications based on computer-aided design and photo measuring ensuring an accurate installation.

The unit travels along the guide rails at a comfortable speed up to 20 feet per minute (0.1 metres per second).

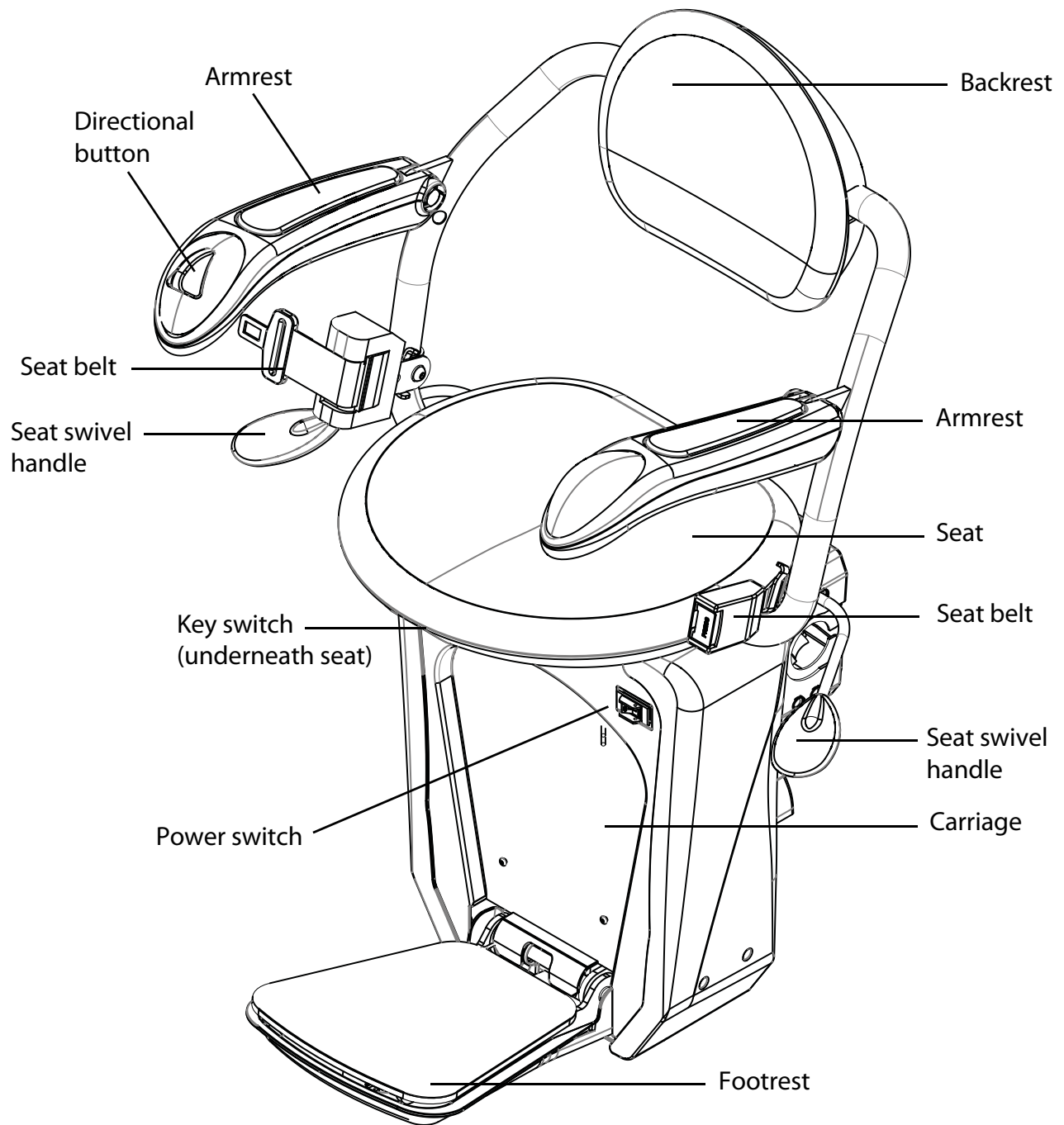
Features and benefits

- Battery charging at the top and bottom (and optional intermediate landings) to ensure the stairlift is always charged and ready to go, even if there is a power failure
- Choice of seat and backrest with wipe-clean synthetic leather
- Capacity up to 350 lbs (160 kg)
- Seat swivels and locks into position for safe boarding and deboarding (at the top only)
- Retractable seat belt to ensure your safety
- Folds up to less than 15.5" (39.4 cm) to allow easy access to the stairs when the lift is not in use
- On-board controls with soft start and smooth stop operation
- Two radio frequency remote controls included, offering greater range and control of the lift from other rooms
- Overspeed governor and obstruction sensors to stop the chair if it meets an object in both the up or down travel directions
- Reliable rack and pinion drive with sturdy, twin steer tube rail construction
- Custom-built for curves, turns, landings and parking
- Can be mounted on either side of the stairs
- Onboard diagnostics to identify any service issues
- Options: 90° or 180° parking, top or bottom overrun, keyless access, emergency stop button, and extra long seat belt

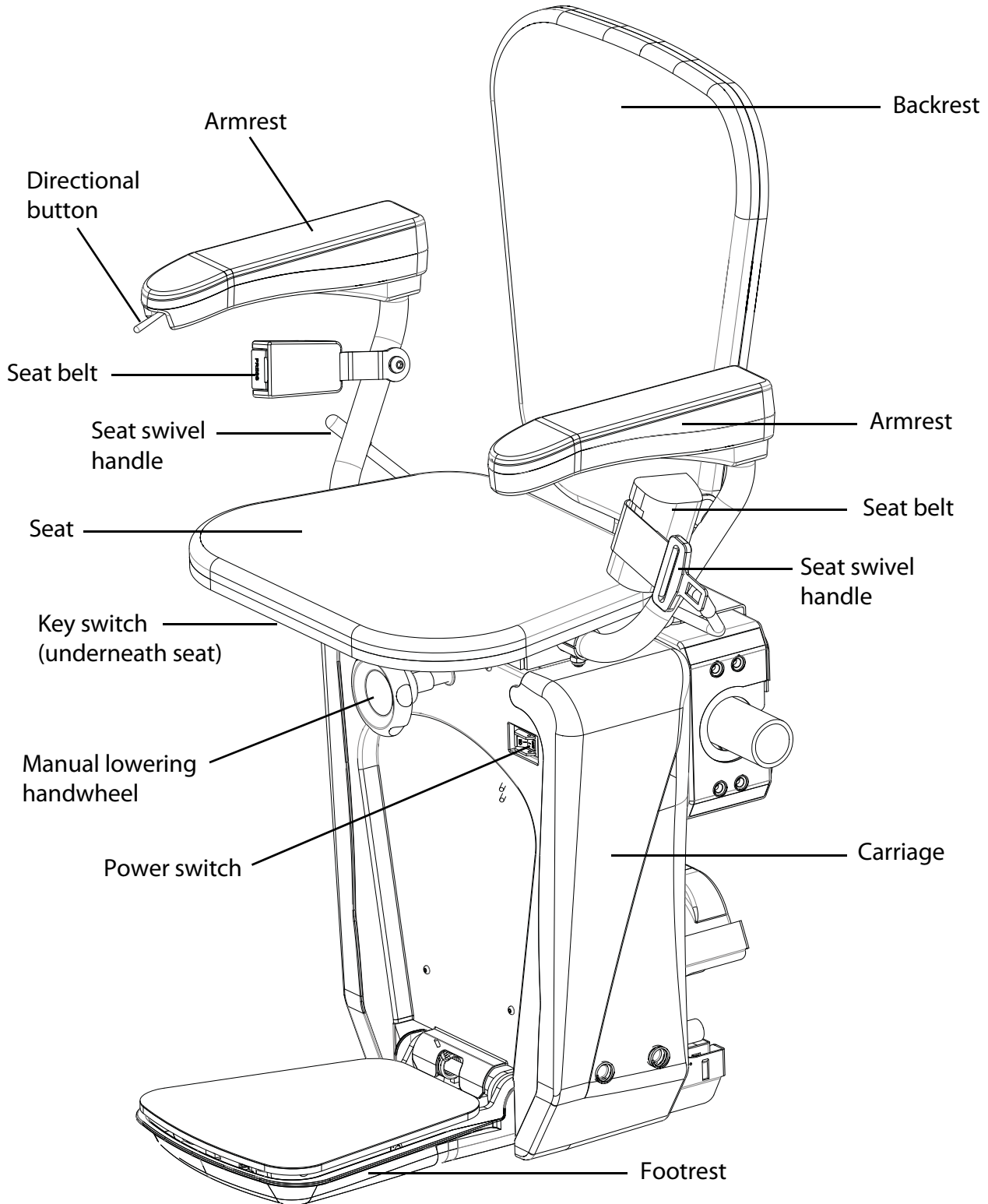
Specifications of the lift

Specification	Data
Applications	Residential or commercial, indoor, curved stairs
Capacity	350 lb (160 kg)
Nominal speed	20 ft/min (0.1 m/s), 12 ft/min (0.06 m/s)
Drive	Rack and pinion
Motor	1/2 hp, 24V (DC) power that charges on standard household power
Fold-up width	15.5" (39.4 cm)
Fold-out width	25.5" (64.5 cm)
Range of incline	0 to 52°
Daily cycle	Normal: 10 Heavy: 30 Excessive: 50 Maximum starts in 1 hour on standard installation: 5 NOTE: Please consult your Sales Representative if there a chance you may exceed these amounts.
Features	Directional button on the armrest Radio frequency remote controls to call/send the lift Manual lowering capability (using handwheel) Folding seat (with seat belt) Folding footrest Obstruction sensors on the carriage and footrest Locking seat swivel handles

Lift components (V-seat shown)



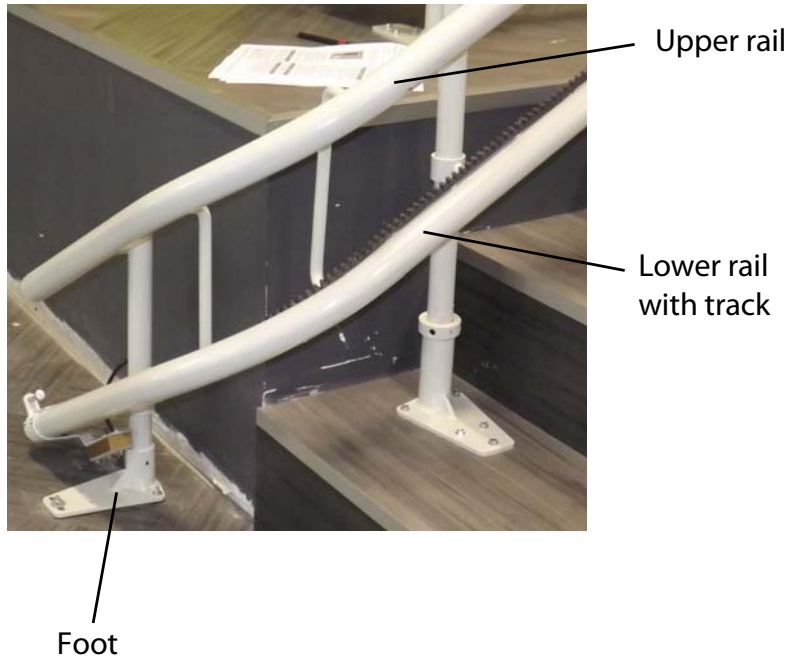
Lift components (L-seat shown)



Guide rails

The lift travels up and down the stairway along two guide rails – an upper rail and a lower rail with a gear track.

The guide rails are mounted on feet at the locations specified in your Installation drawings. Rail sections are connected together at the rail joints using bolts and joint pins. Once all rail sections have been joined together and location is finalized according to the Installation drawings, the feet are then secured to the stairs.



Safety features



Footrest underpan

Key switch

Power switch

Carriage bumpers

Manual lowering handwheel



End stop



Obstruction sensors

There are sensors inside the carriage bumpers and the footrest underpan that stop the lift if it encounters an obstacle on the stairs.

Key switch

The key switch is located underneath the seat and must be turned on to activate the stairlift.

Power switch

The power switch is located on the front of the carriage and turns power on/off to the stairlift.

End stops

The end stops are mounted on the rail and are used to stop the lift at the upper and lower end of the stairs.

Overspeed governor

The overspeed governor is a safety device that activates to quickly bring the lift to a stop if it is descending down the stairs too quickly.

Manual lowering handwheel

You can use the manual handwheel by inserting it on the motor shaft to bring the lift to the next landing in the event of an emergency.

Site verification

Stairway

Due to close running clearances, the Owner/Agent must ensure that the stairs (where provided) are level, plumb ($\pm 1/8"$ (3 mm)) and square and are in accordance with the dimensions specified on the site-specific Installation drawings.

Minimum overhead clearance

The Contractor/Customer must ensure the minimum overhead clearance is in compliance with codes.

Construction site

The Contractor/Customer is responsible for all masonry, carpentry and drywall work as required, and for patching and finishing (including painting) all areas where walls/floors may need to be cut, drilled or altered in any way to permit the proper installation of the lift.

Dimensions

The Contractor/Customer must verify all dimensions on the site-specific Installation drawings and report any discrepancies to the Agent or Distributor.

Installation

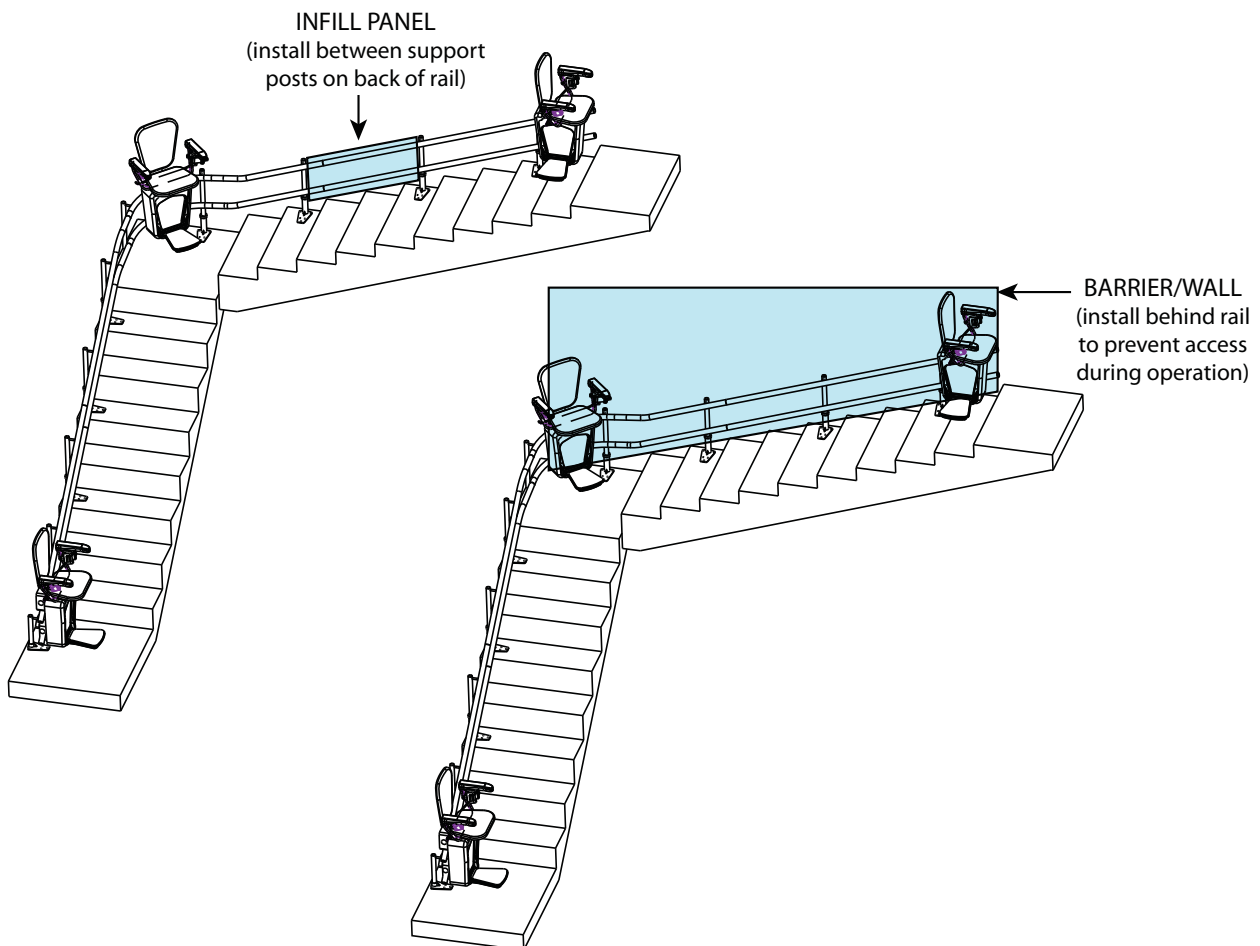
The equipment must be installed by a qualified technician in compliance with the codes identified on the front cover of this manual.

The conformity for access to the stairlift is the distributor's responsibility.

Provisions by others

IMPORTANT NOTE

Upon completion of installation when the back of the rail is exposed, infill panels must be installed between the support posts, or a constructed barrier or wall must be installed behind the rail (see the illustration below). This will prevent access to the back of the rail during operation.



Electrical requirements

General

Electrical equipment and wiring must comply with Section 38 of CSA C22.1 (Canada) or Section 620 of NEC ANSI/NFPA 70 (USA).

Main power supply

120 VAC, 15 Amp, 60 Hz single-phase circuit through a fused disconnect.

There must be an electrical outlet for the charger.

Lighting

Contractor/customer to provide lighting. Lighting must be a minimum of 100 Lux at the platform and landings.

Contractor/customer to provide emergency lighting. Emergency lighting of 2 Lux must be provided for a minimum of one hour on the platform along the travel route.

Clearance

Folding/unfolding

The stairlift requires 1" (2.54 cm) clearance when folding and unfolding between two wall.

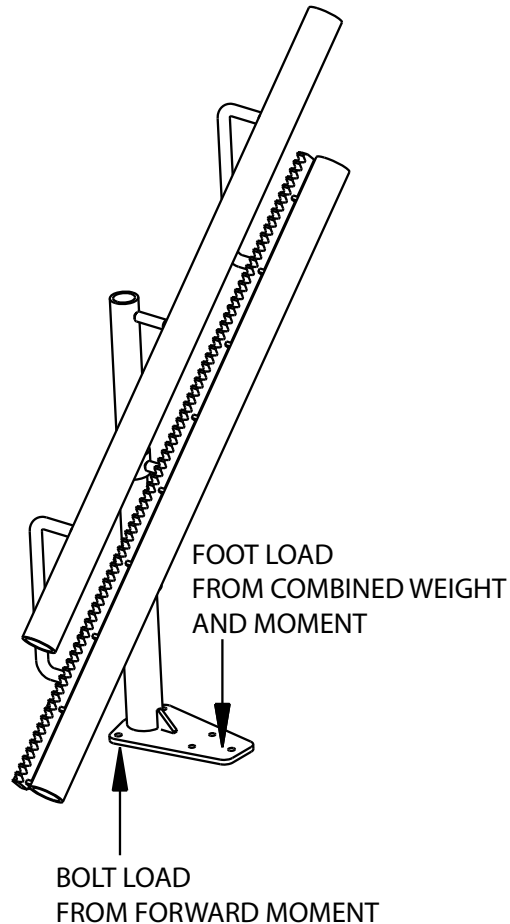
Structural requirements

Floor/support wall loads

A structural engineer must ensure that the building and stairway will safely support all loads imposed by the lift equipment. Adequate structural support must be provided at the top landing, bottom landing and throughout the supporting wall along the stairs.

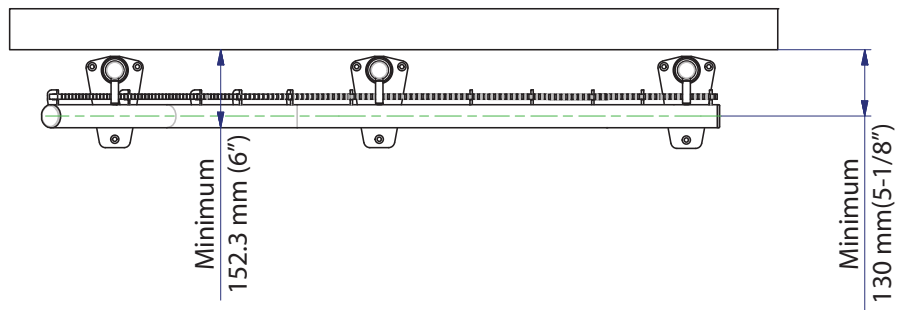
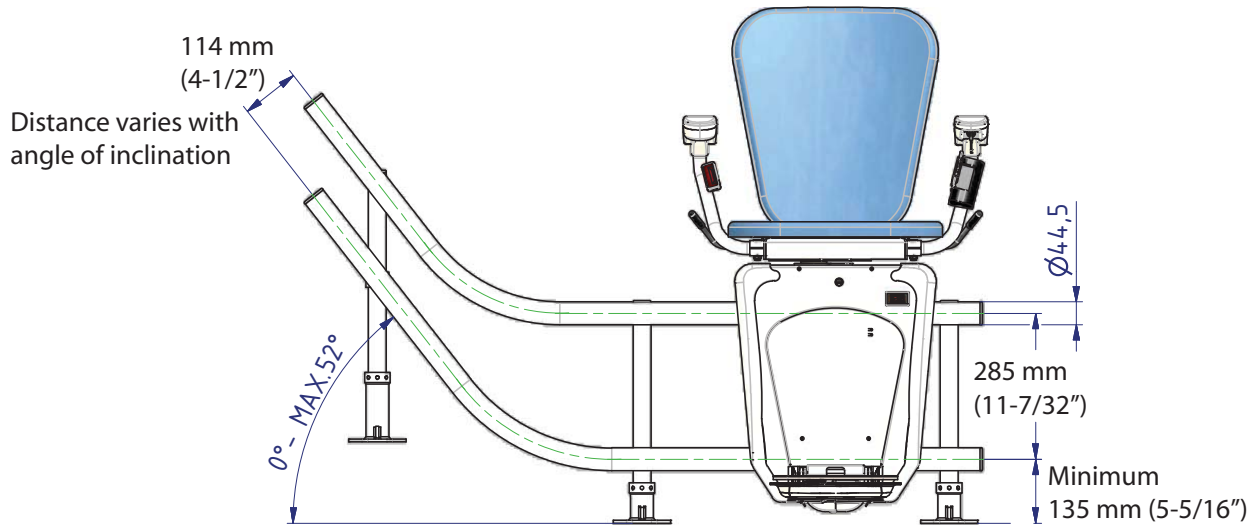
NOTE: A foot gasket is required on tile, stone or concrete floor.

Support load diagram



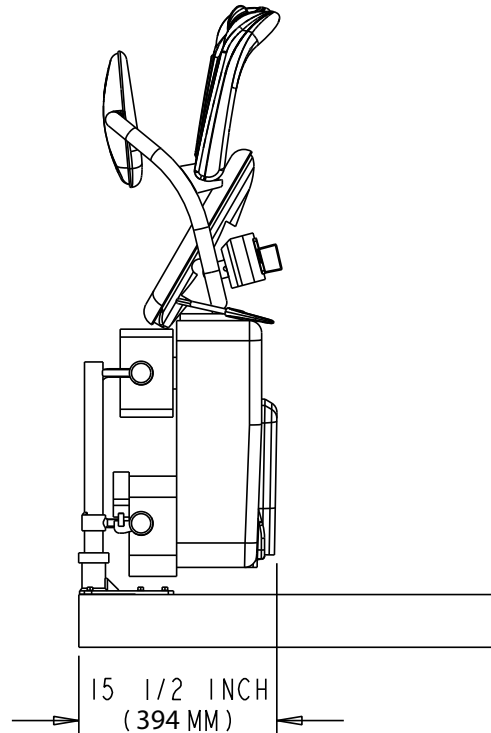
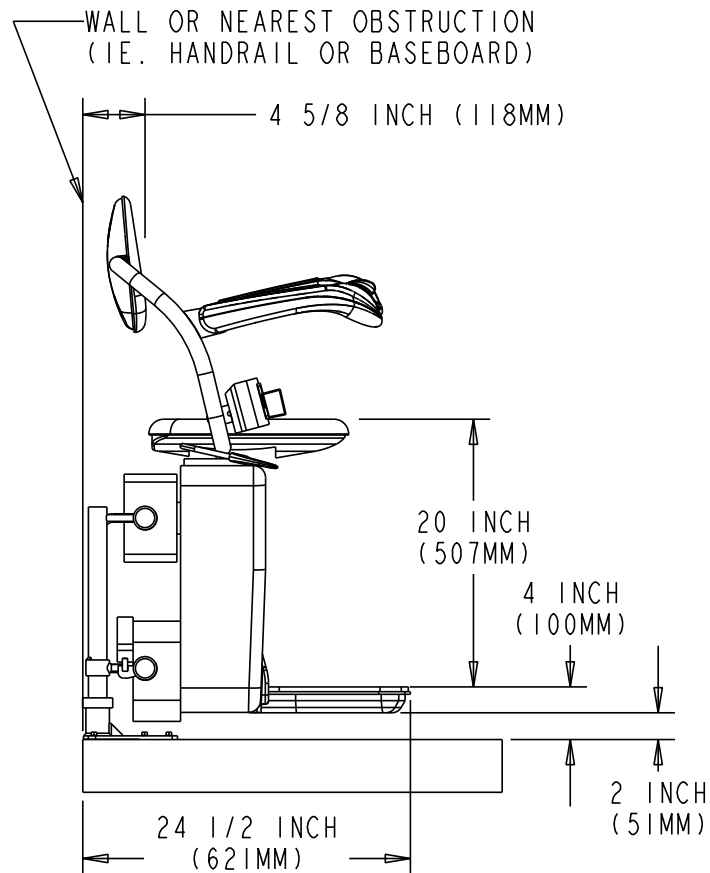
DESIGN FOOT LOADS ARE:
 4684N (1053 LBF) VERTICAL FOOT LOAD
 2344N (527 LBF) BOLT TENSILE LOAD
 AT BACK TWO FASTENER LOCATIONS
 DUE TO FORWARD MOMENT
 -USE THE SAME FASTENERS IN 3 LOCATIONS

General chair/rail dimensions

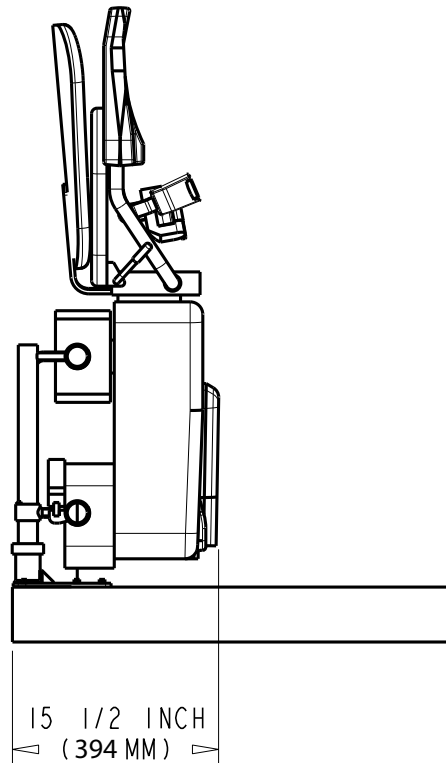
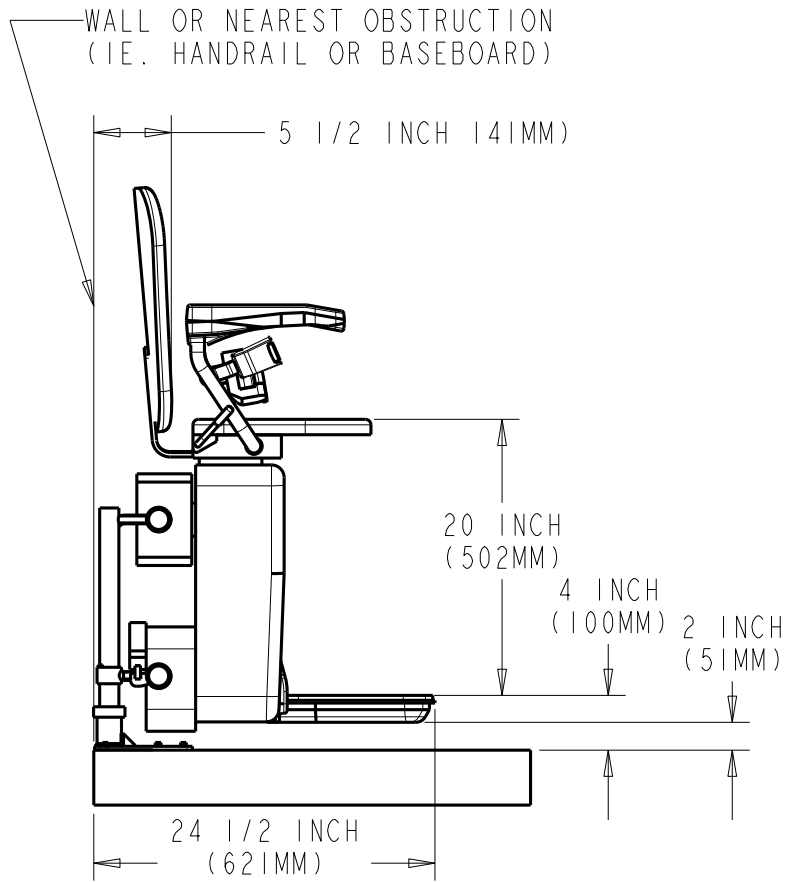


NOTE: Dimensions may differ depending on configuration.

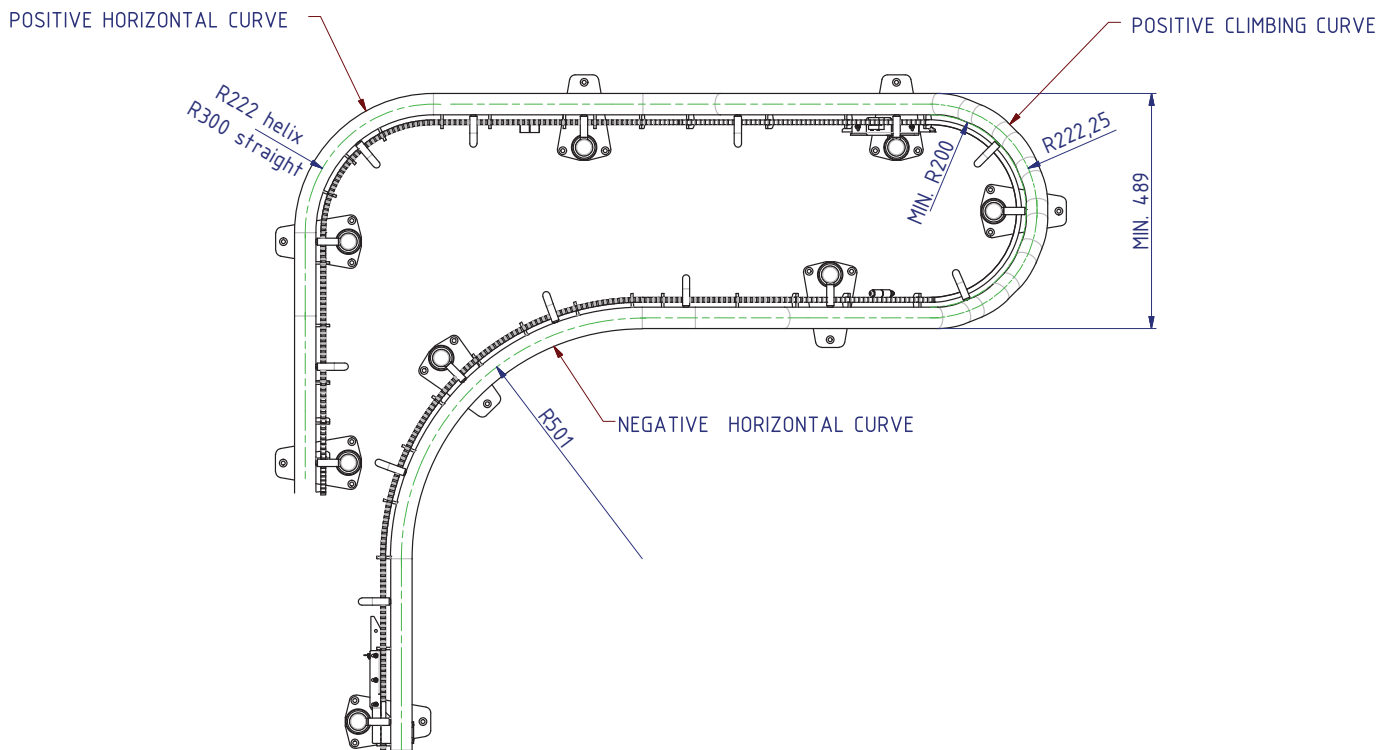
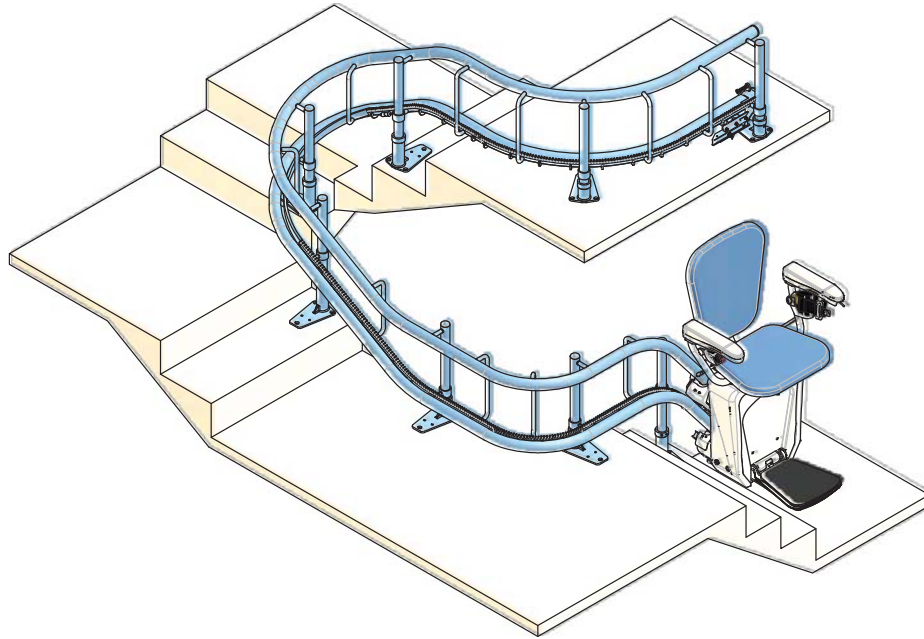
Folded/unfolded V-seat dimensions



Folded/unfolded L-seat dimensions

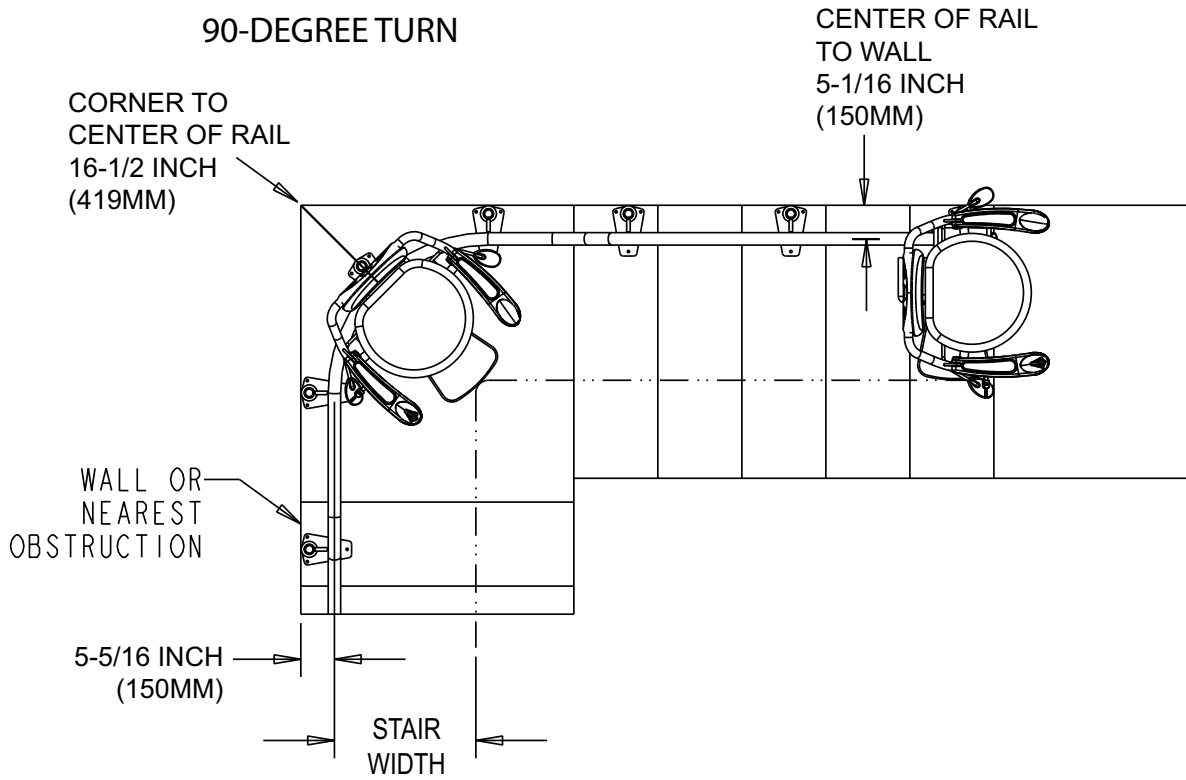


Curve dimensions

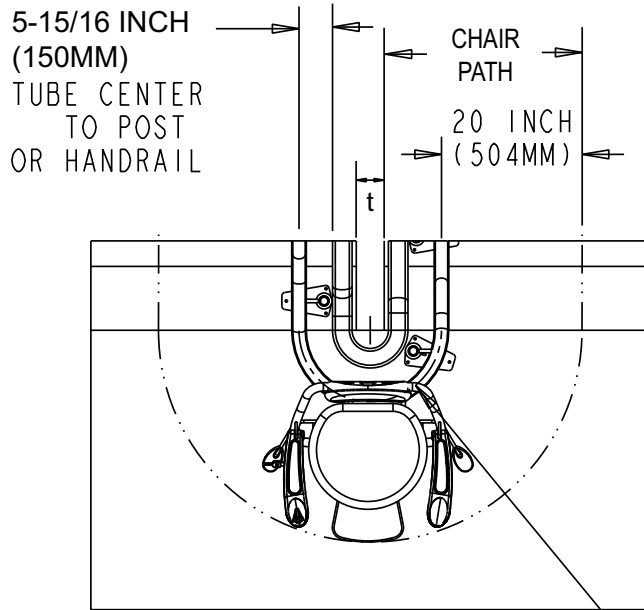


Turning clearances

90-DEGREE TURN



180-DEGREE TURN



For $t = 0$,
 MINIMUM STAIR WIDTH (CENTRED)
 = 857MM (33-3/4 INCH)

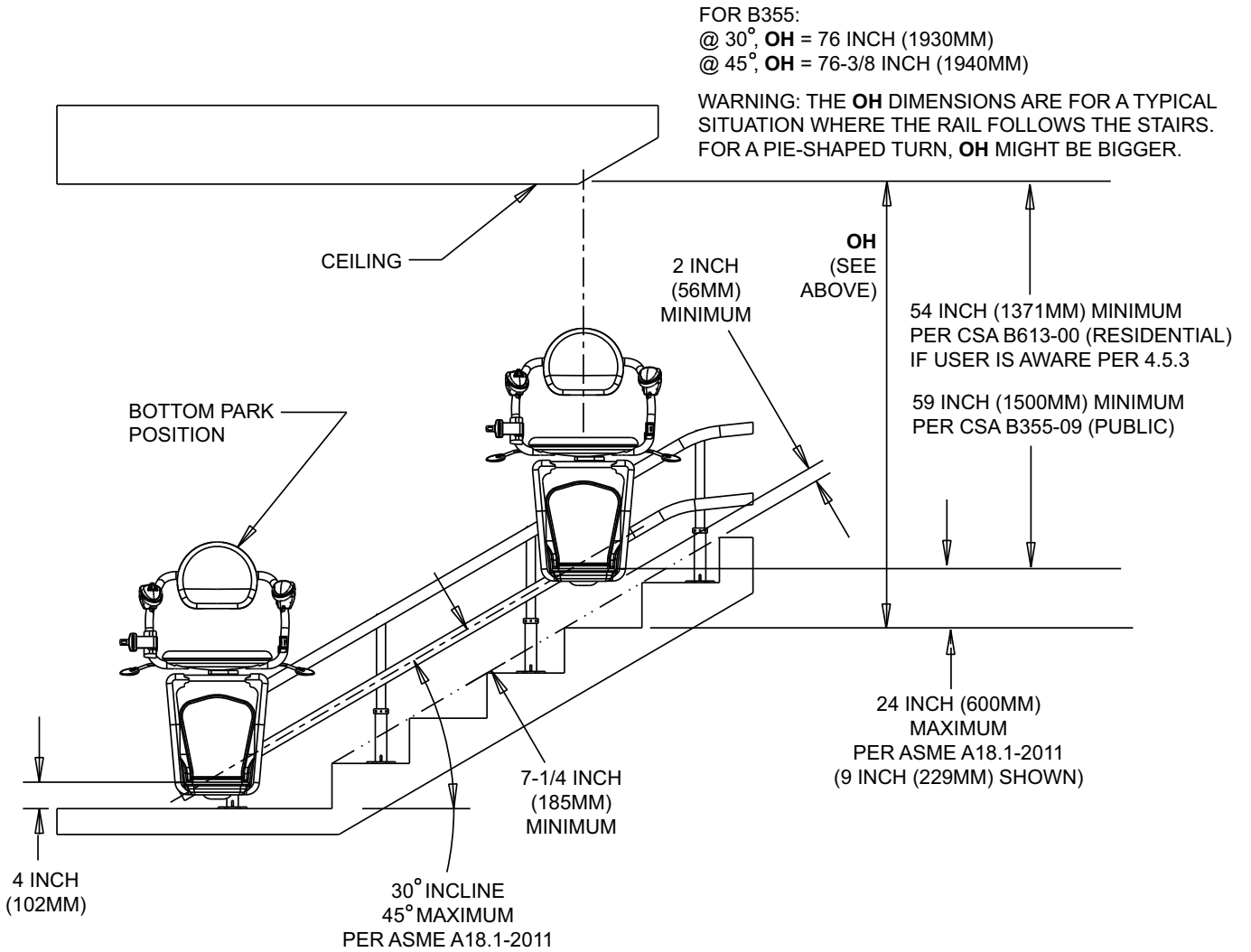
For $t = 0$,
 MINIMUM STAIR WIDTH (NOT CENTRED)
 = 944 MM (37-5/32 INCH) ON ONE SIDE
 = 800MM (31-1/2 INCH) ON THE OTHER SIDE

For $t = 174\text{MM}$ (6-27/32 INCH) OR BIGGER,
 MINIMUM STAIR WIDTH (ALWAYS CENTRED)
 = 826MM (32-1/2 INCH)

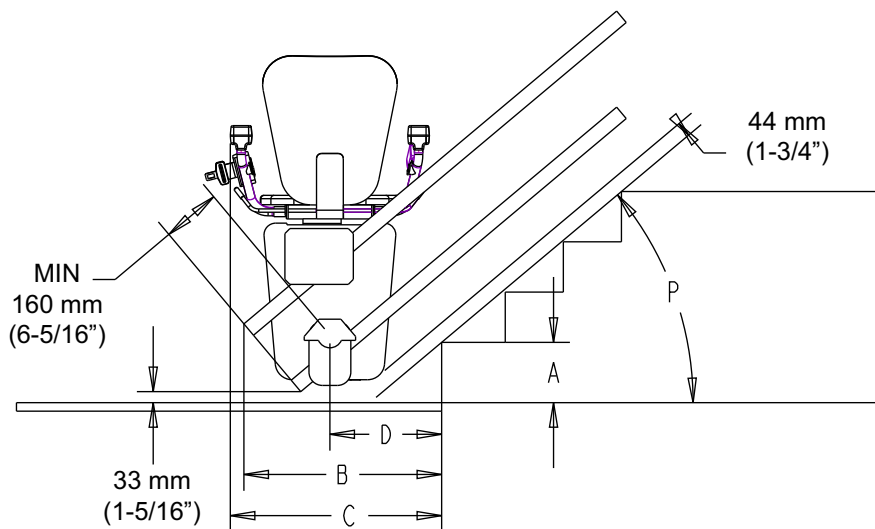
NOTE: DIMENSIONS USING A STANDARD PERSON HAVING FEET 50MM (2 INCH) PAST THE FOOTREST.

8 3/4 INCH (222MM)
 MINIMUM BEND RADIUS
 FOR INSIDE BENDS
 (255MM SHOWN)

Overhead and stairway clearances



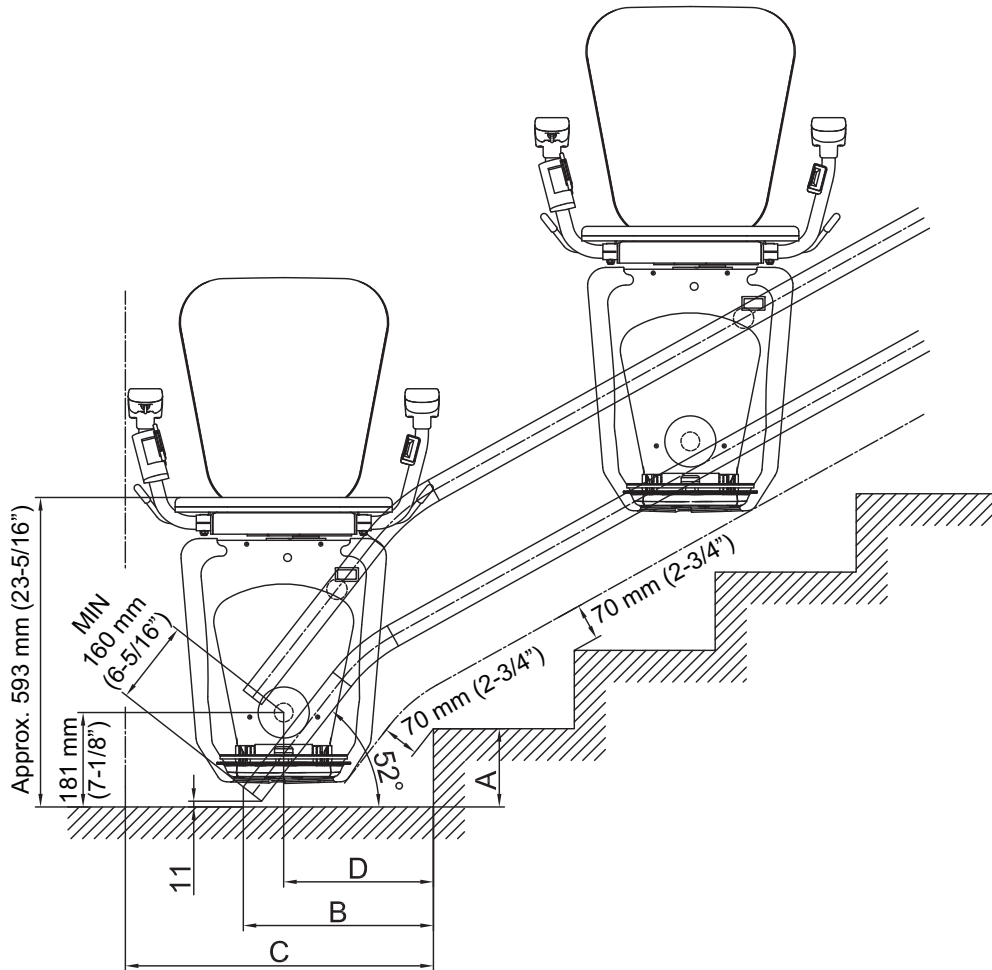
Lower landing (normal start)



	mm	inch	mm	inch	mm	inch	mm	inch	mm	inch	mm	inch	mm	inch	mm	inch	mm	inch
40°	519	20.44	595	23.44	298	11.73	440	21.15	614	24.15	316	12.44	555	21.85	631	24.85	334	13.14
35°	575	22.64	633	24.92	336	13.21	596	23.48	654	25.76	357	14.05	618	24.32	676	26.60	378	14.89
30°	637	25.06	684	26.92	386	15.21	672	26.44	710	27.94	412	16.23	698	27.47	736	28.96	438	17.25
25°	736	28.96	756	29.76	458	18.05	775	30.51	788	31.02	490	19.31	807	31.78	820	32.29	523	20.58
P	B		C		D		B		C		D		B		C		D	
	A		mm		inch		A		mm		inch		A		mm		inch	
			150		5.91				165		6.50				180		7.09	

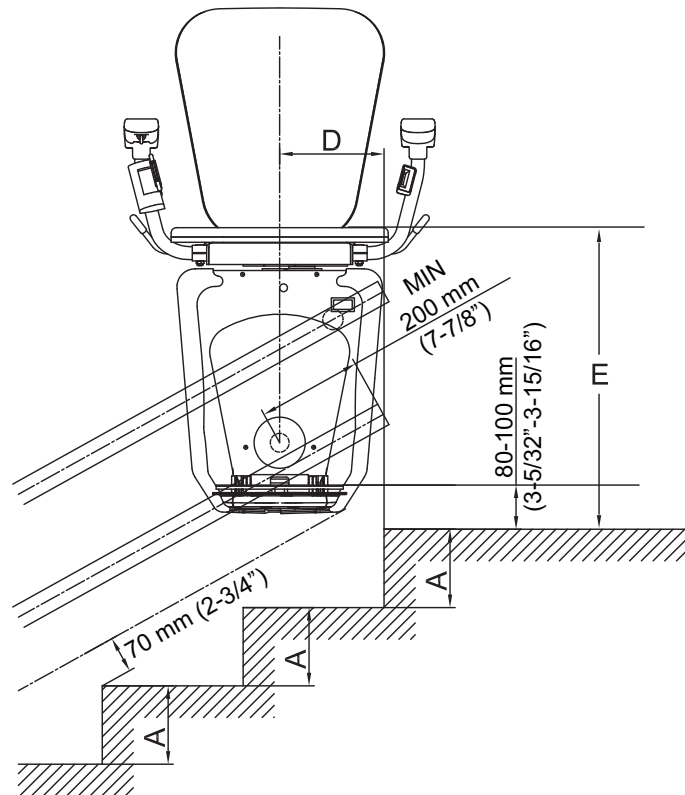
- A ... HEIGHT OF THE FIRST STEP
- B ... RAIL OVERHANG
- C ... SPACE FOR CHAIRLIFT
- D ... STOP POSITION
- P ... STAIRCASE INCLINATION

Lower landing (steep start)



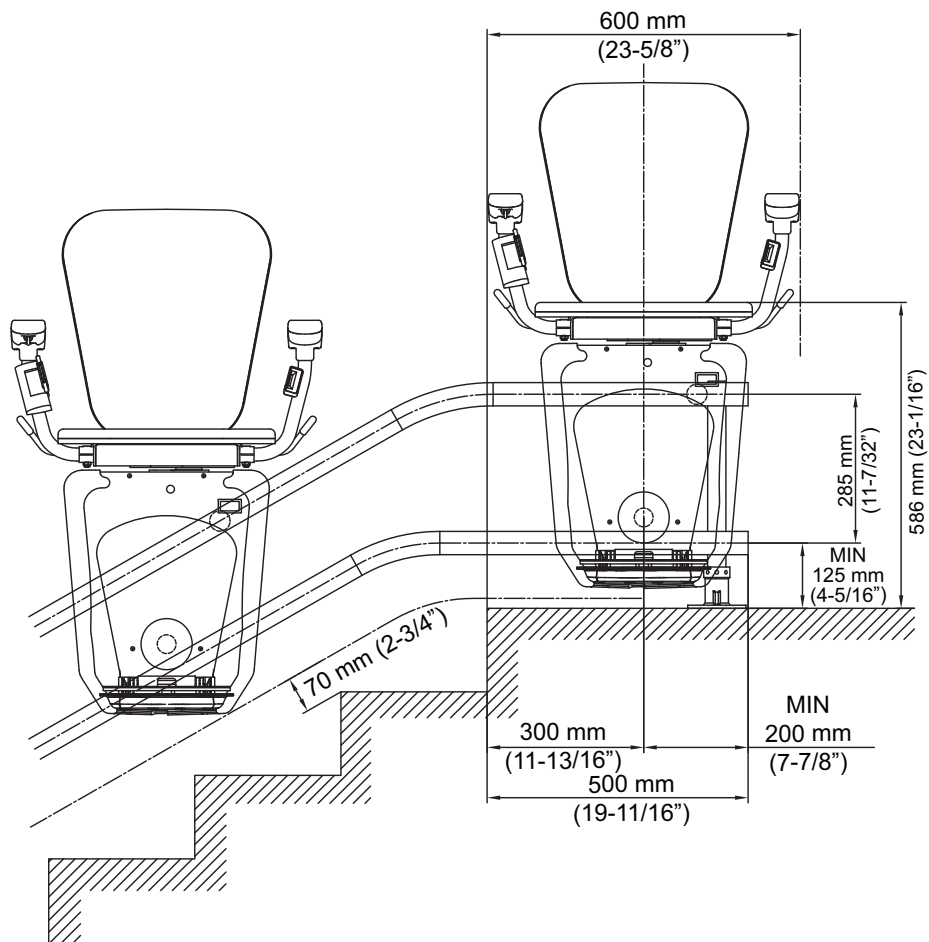
FIRST STEP HEIGHT A		RAIL OVERHANG B		SPACE FOR CHAIRLIFT C		STOP POSITION D	
mm	inch	mm	inch	mm	inch	mm	inch
150	5.91	364	14.33	590	23.23	287	11.30
165	6.50	376	14.80	600	23.62	298	11.73
185	7.28	392	15.43	615	24.21	314	12.36

Upper landing (stop at edge of last step)



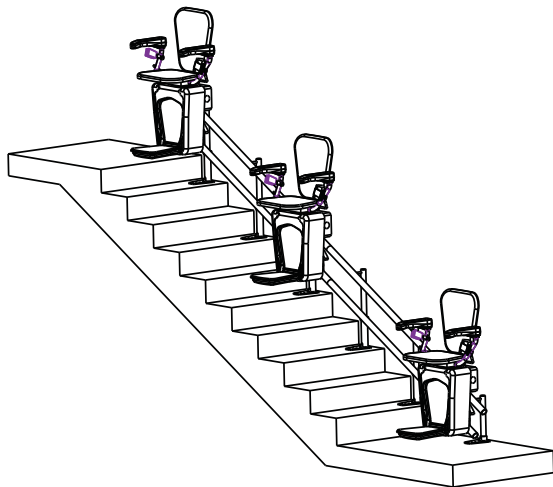
HEIGHT OF STEPS A		STOP POSITION D		CHAIR HEIGHT E	
mm	inch	mm	inch	mm	inch
150	5.91	200	7.87	587	23.11
165	6.50	190	7.48	590	23.23
185	7.28	180	7.09	595	23.43

Upper landing (stop behind edge of last step on horizontal)

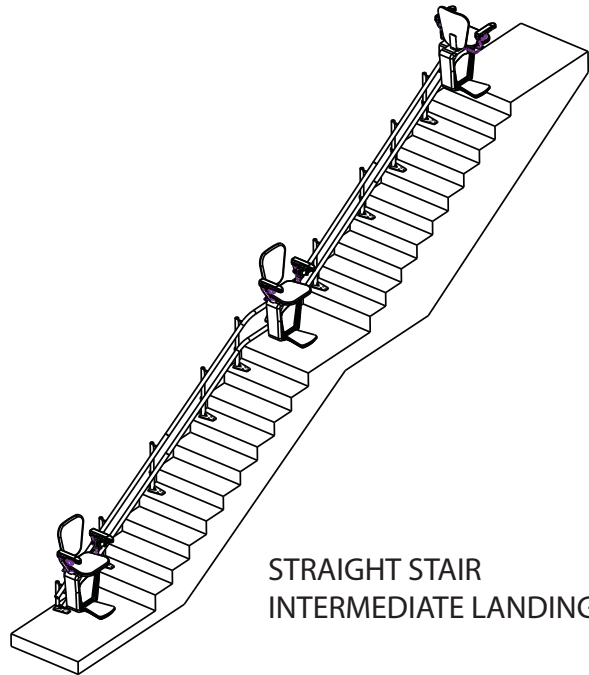


Configurations (Sheet 1)

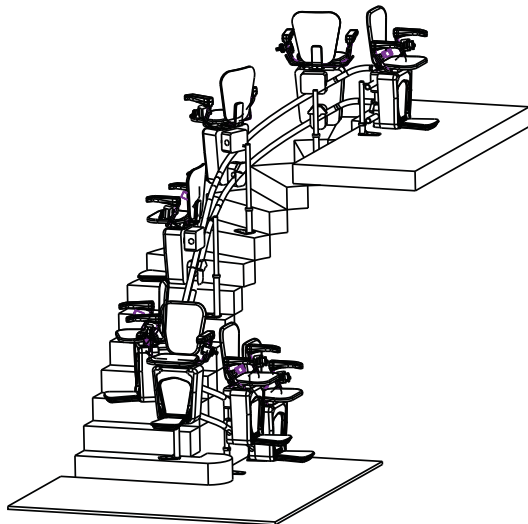
CONFIGURATIONS (SHEET 1)



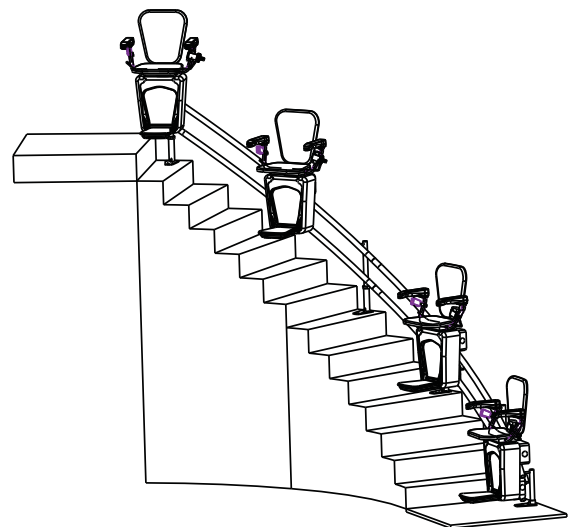
STRAIGHT STAIR



STRAIGHT STAIR
INTERMEDIATE LANDING



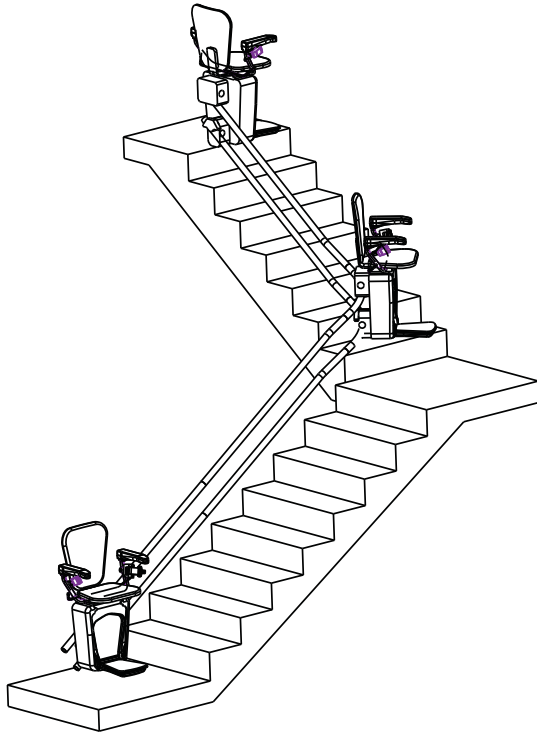
SPIRAL STAIR INSIDE



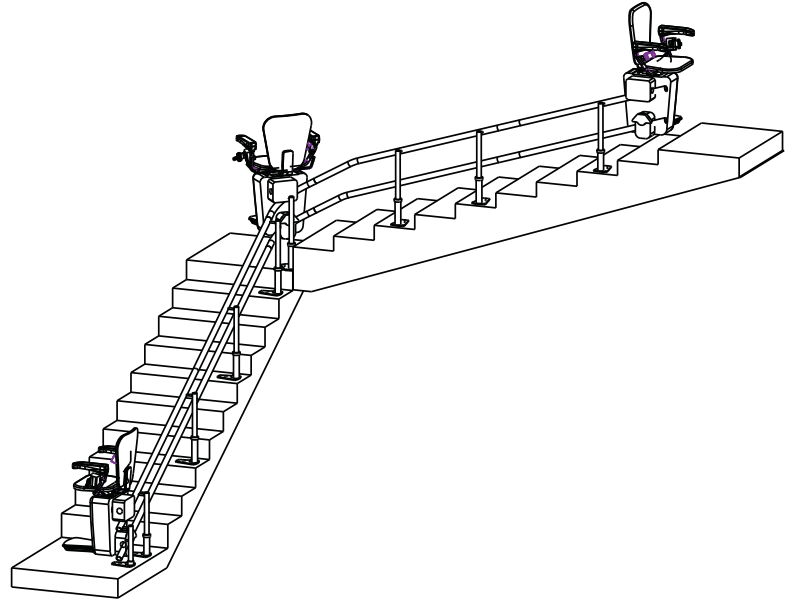
SPIRAL STAIR OUTSIDE

Configurations (Sheet 2)

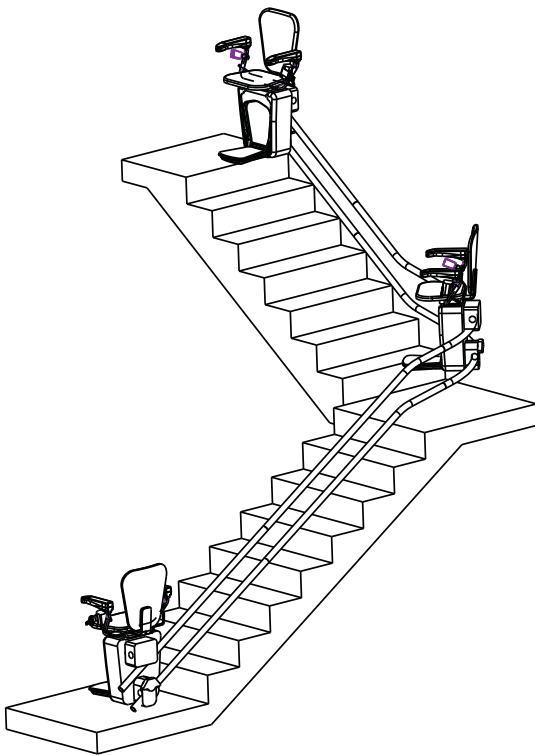
CONFIGURATIONS
(SHEET 2)



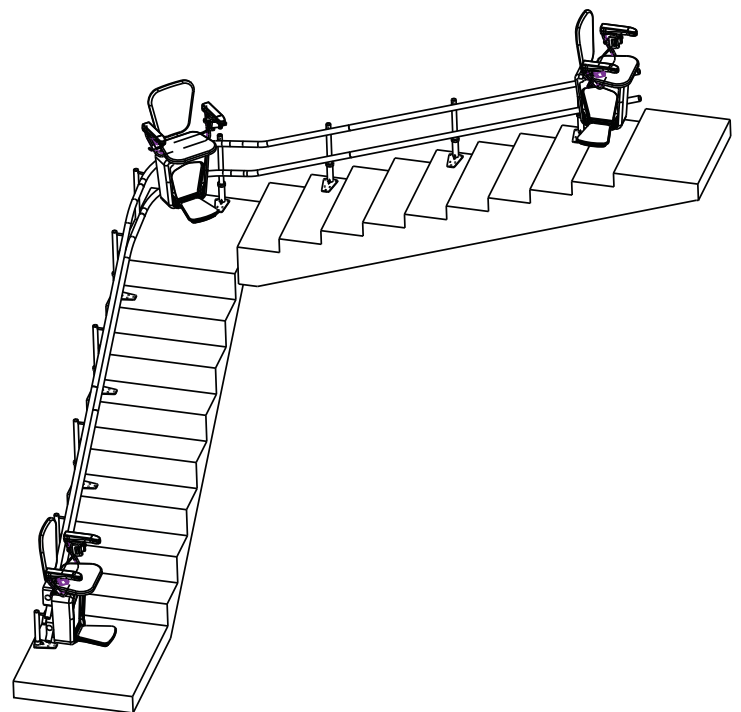
90 DEGREE STAIR INSIDE RAIL LH



90 DEGREE STAIR INSIDE RAIL RH



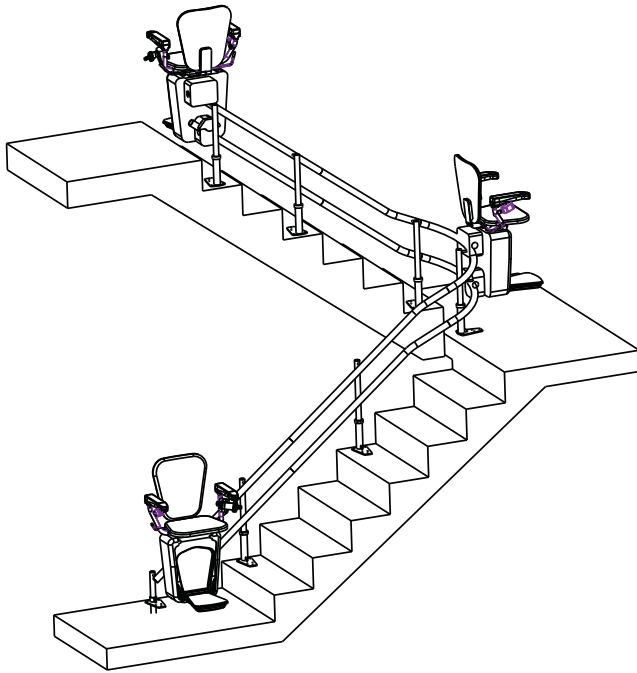
90 DEGREE STAIR OUTSIDE RAIL LH



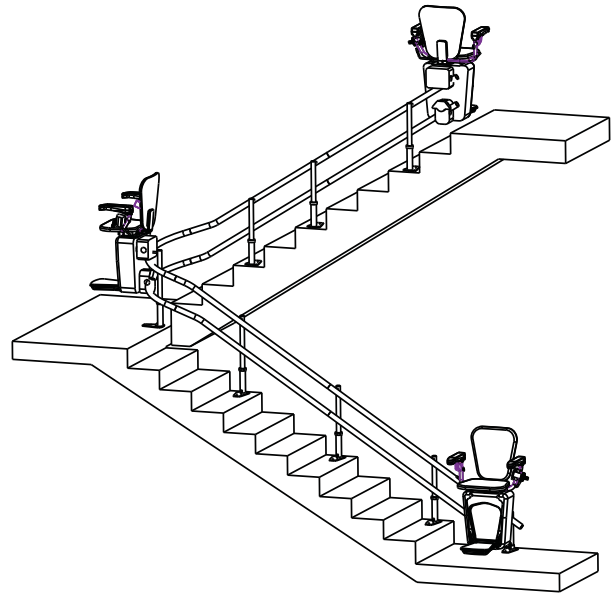
90 DEGREE STAIR OUTSIDE RAIL RH

Configurations (Sheet 3)

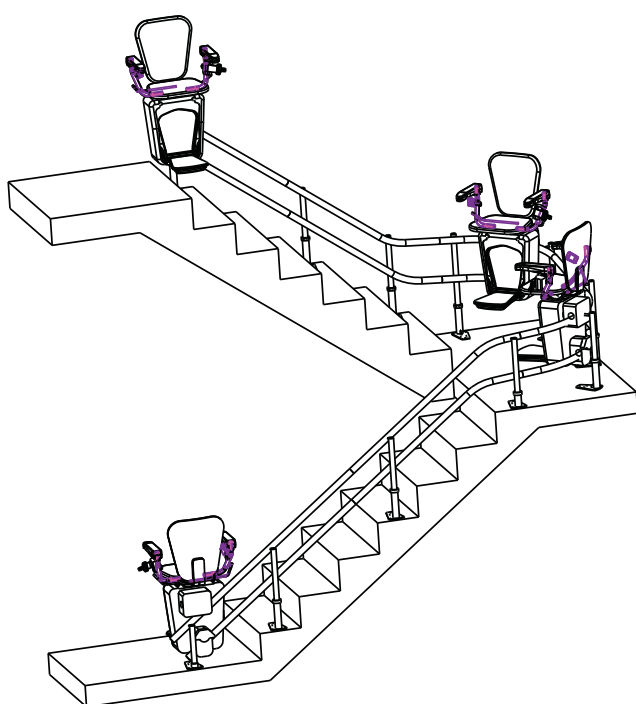
CONFIGURATIONS
(SHEET 3)



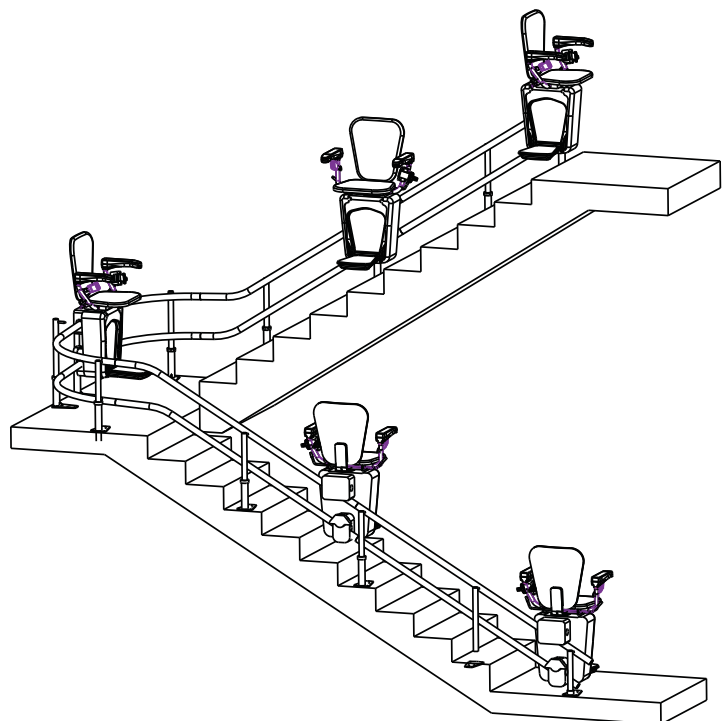
180 DEGREE STAIR INSIDE RAIL LH



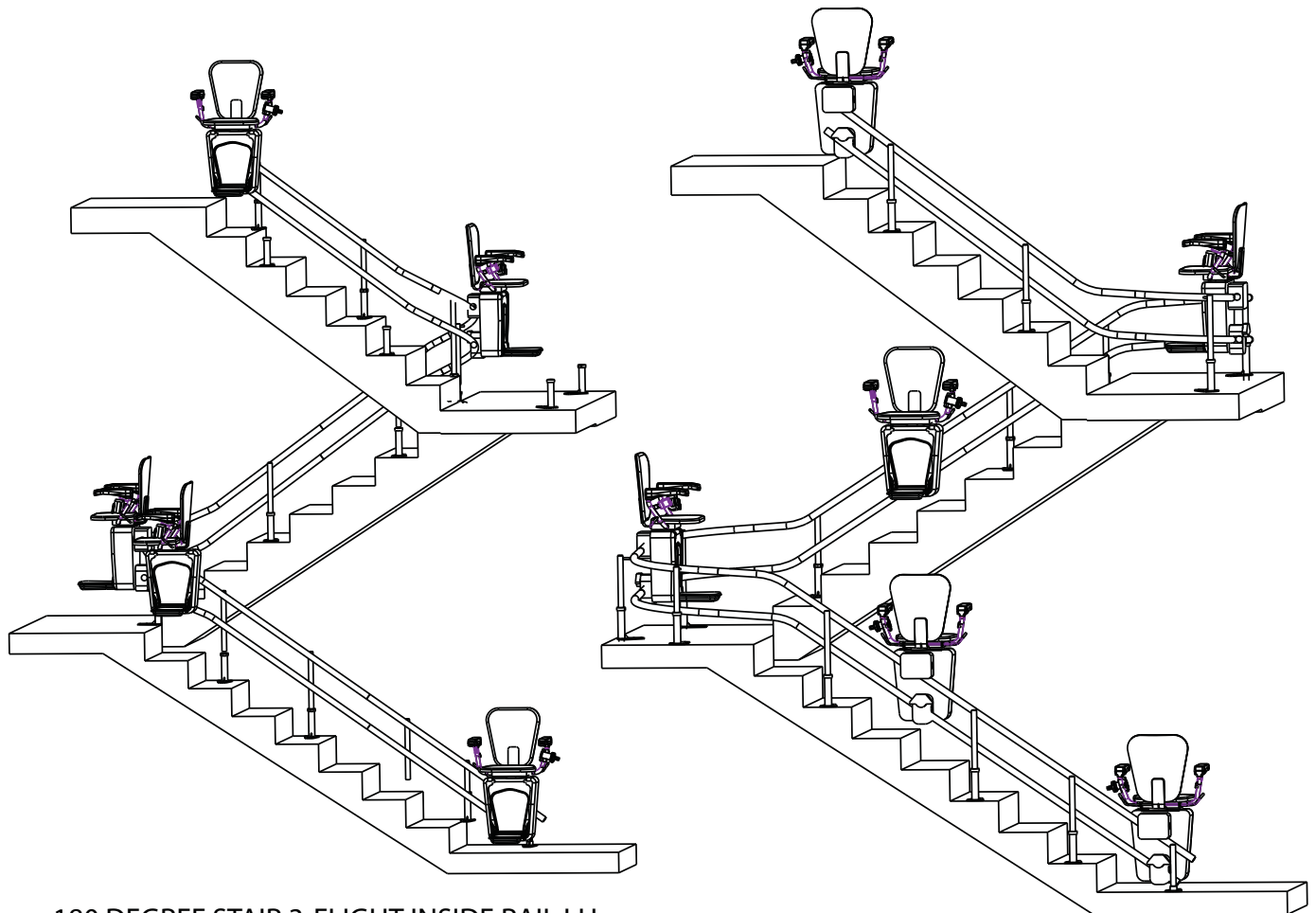
180 DEGREE STAIR INSIDE RAIL RH



180 DEGREE STAIR OUTSIDE RAIL LH



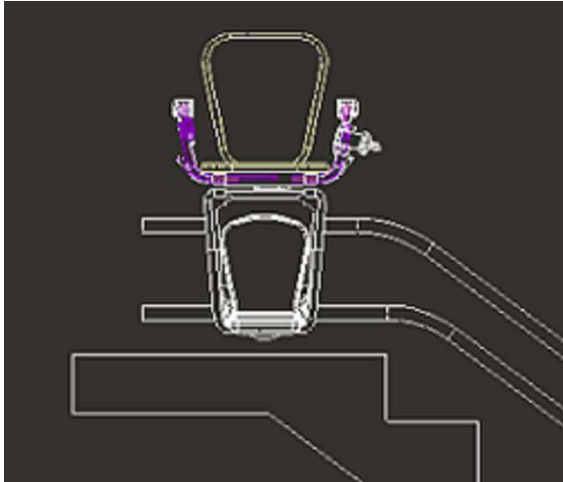
180 DEGREE STAIR OUTSIDE RAIL RH

Configurations (Sheet 4)**CONFIGURATIONS
(SHEET 4)**

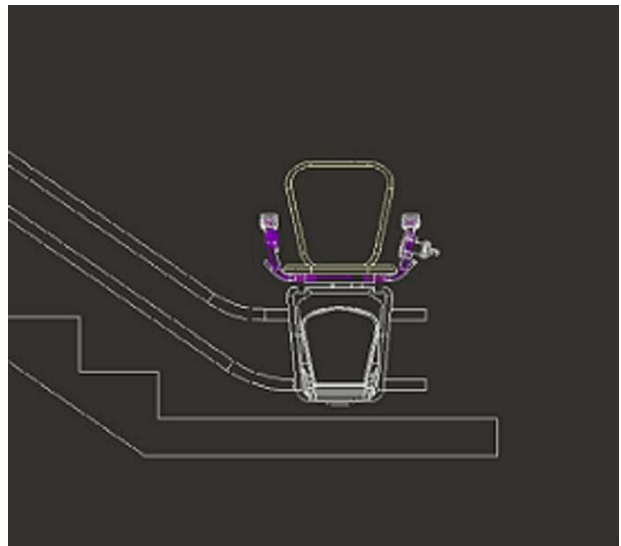
180 DEGREE STAIR 3-FLIGHT INSIDE RAIL LH

180 DEGREE STAIR 3- FLIGHT OUTSIDE RAIL RH

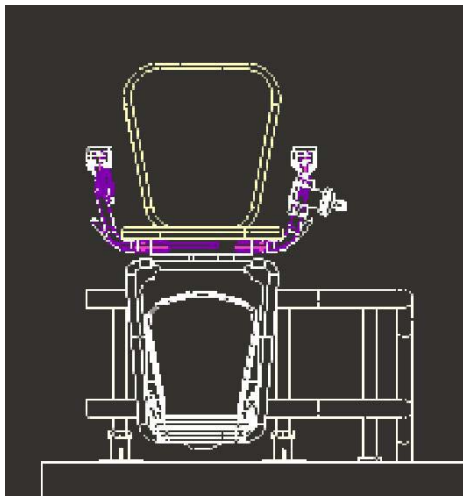
Overrun and parking



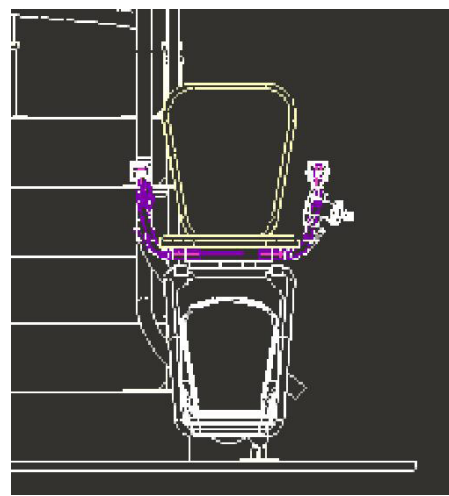
OVERRUN AT TOP



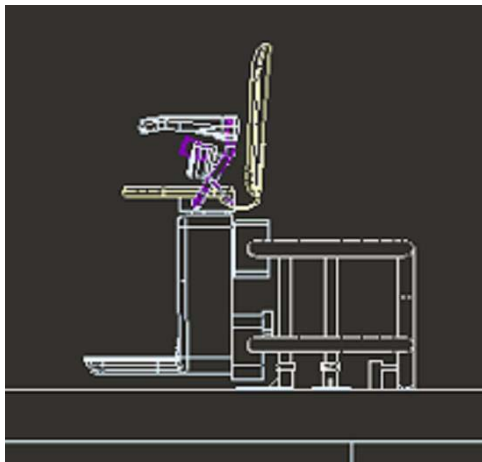
OVERRUN AT BOTTOM



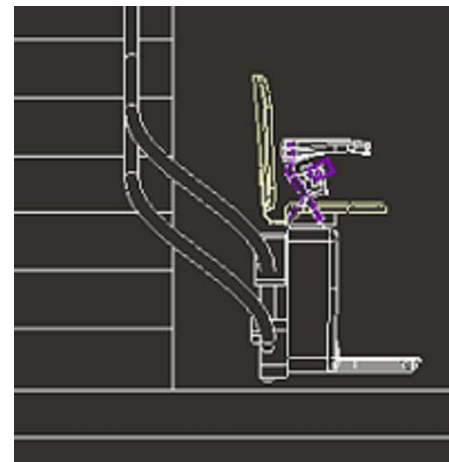
90 DEG PARKING AT TOP



90 DEG PARKING AT BOTTOM

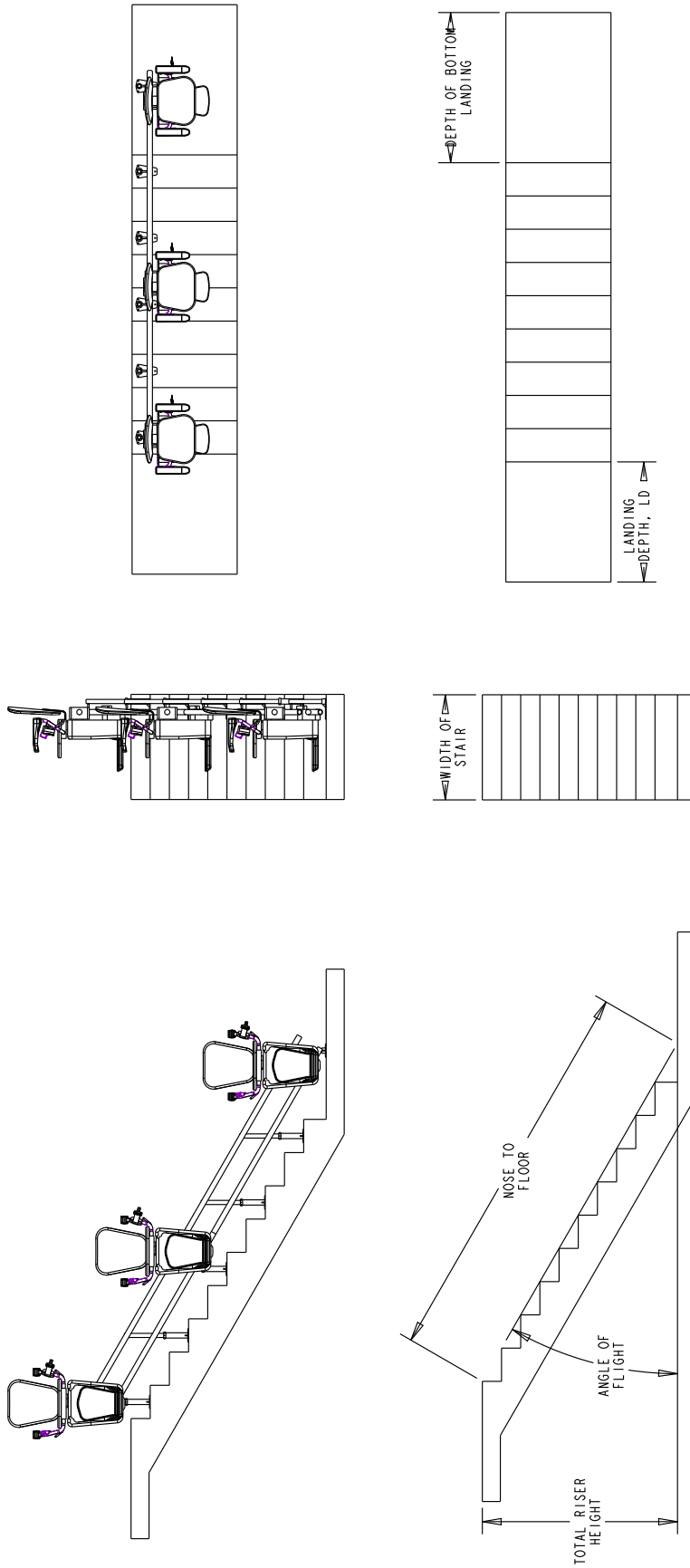


180 DEG PARKING AT TOP

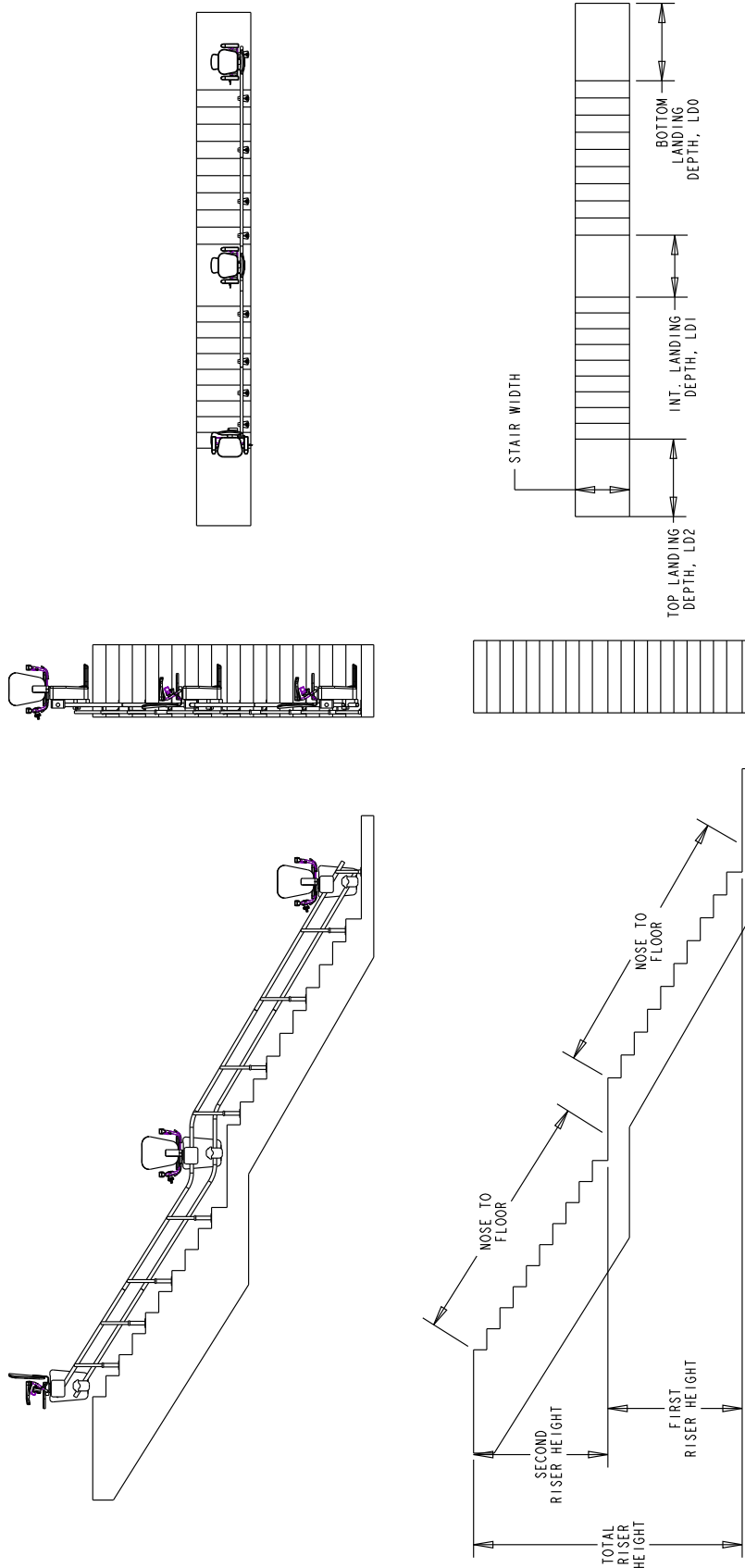


180 DEG PARKING AT BOTTOM

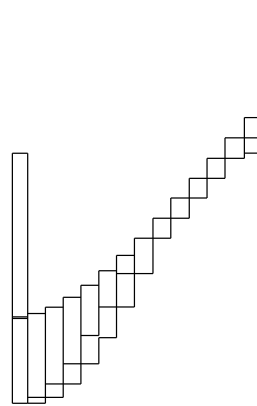
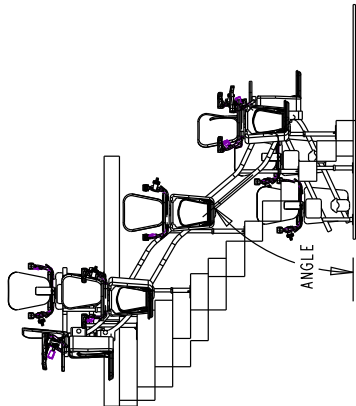
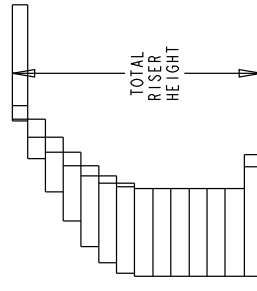
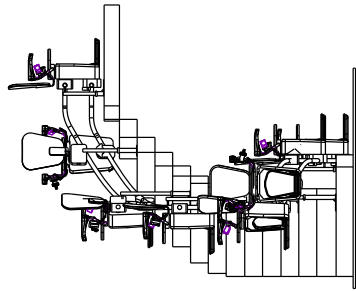
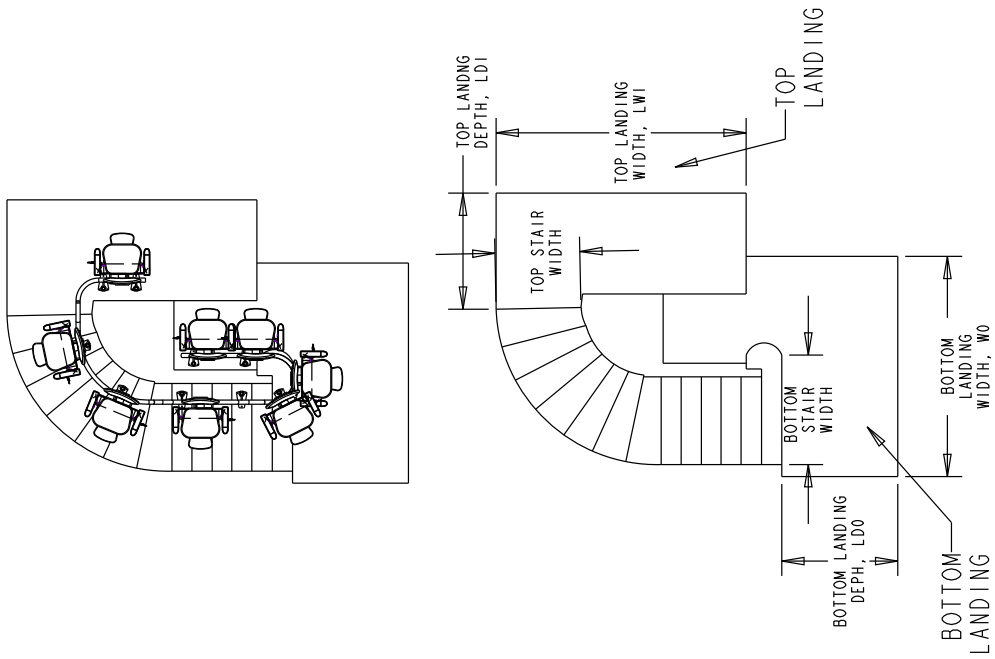
Straight stair



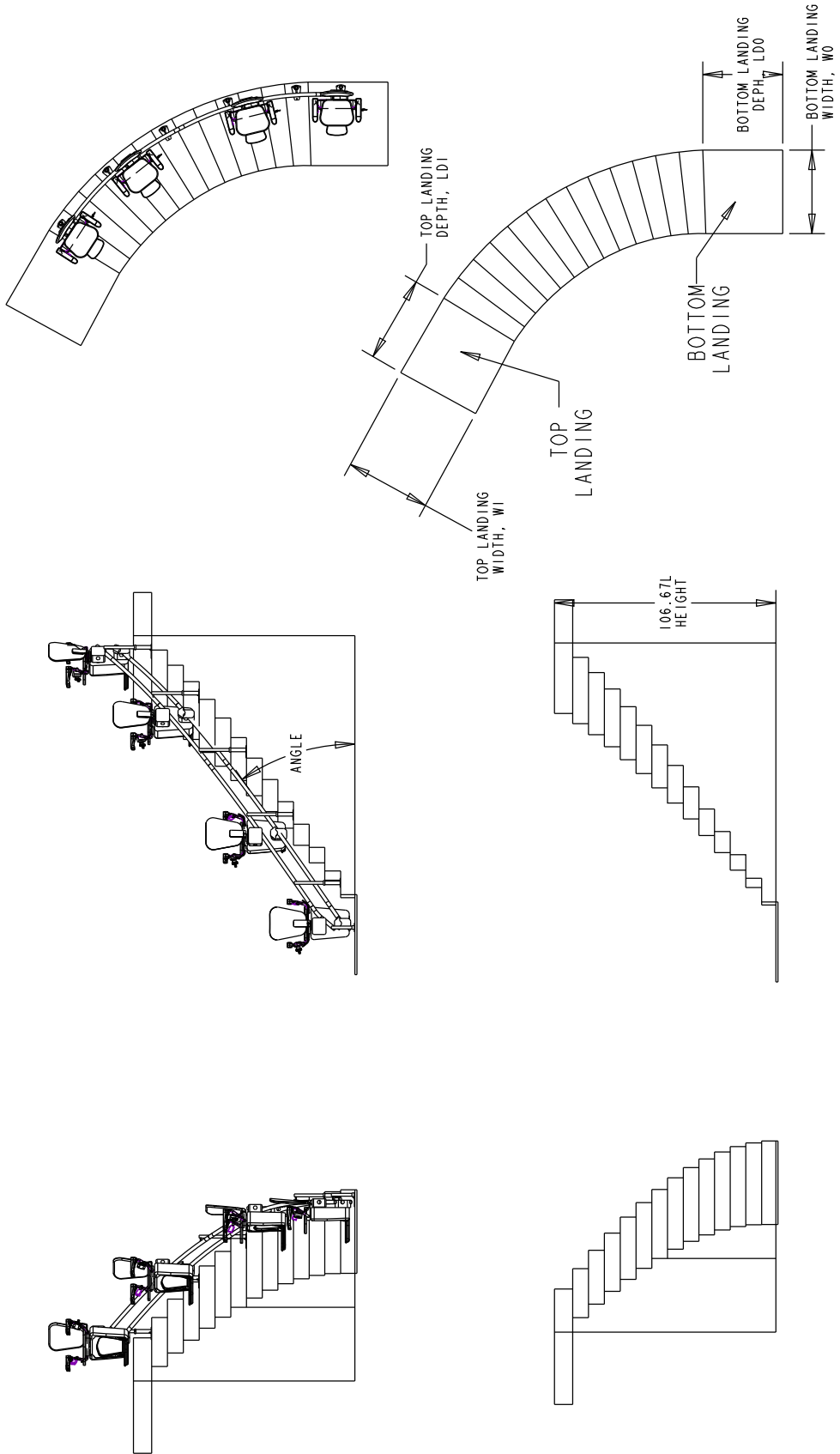
Straight stair (intermediate landing)



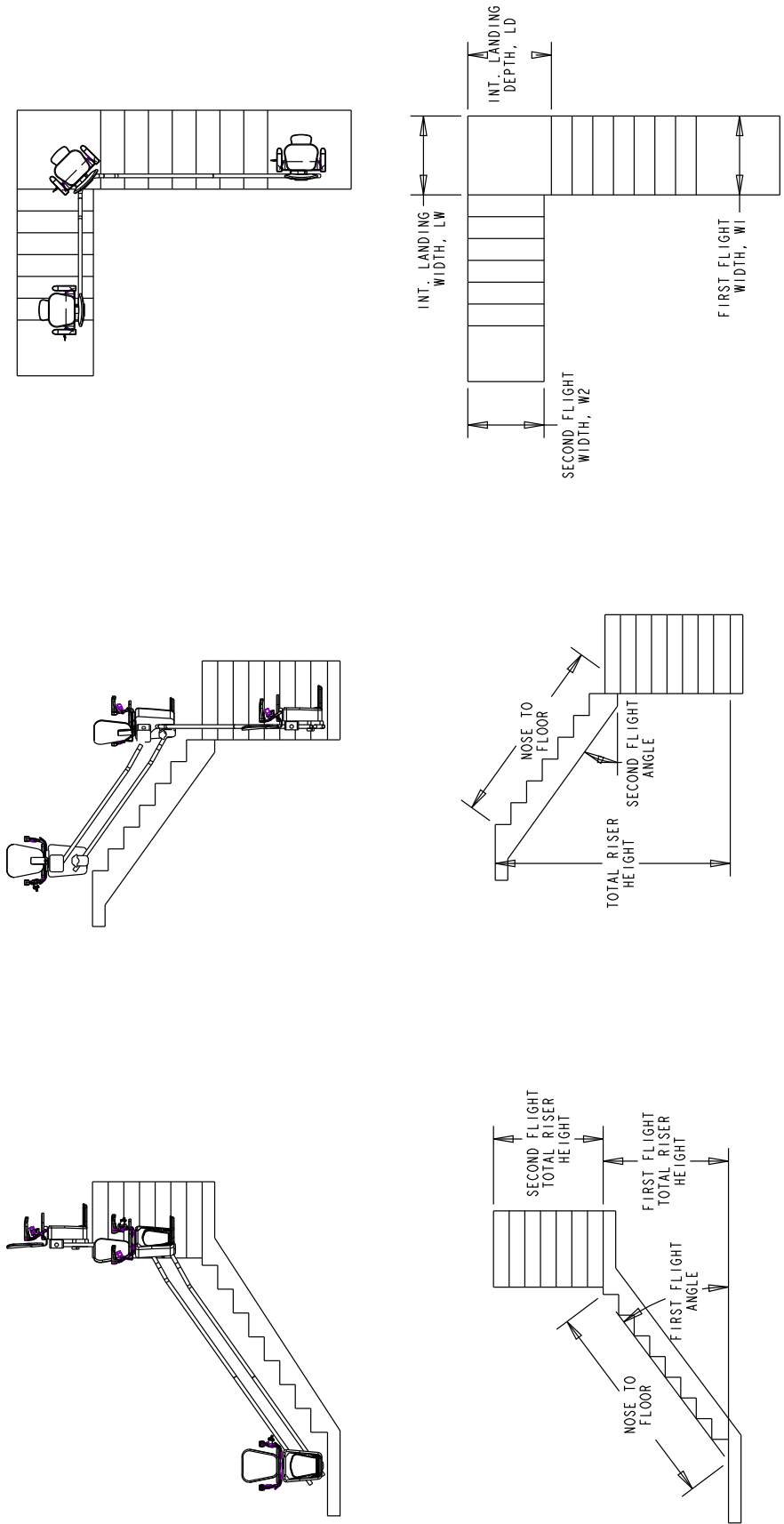
Spiral stair inside rail



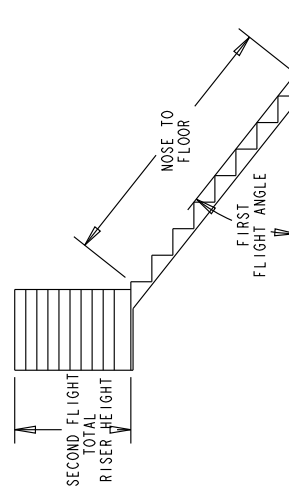
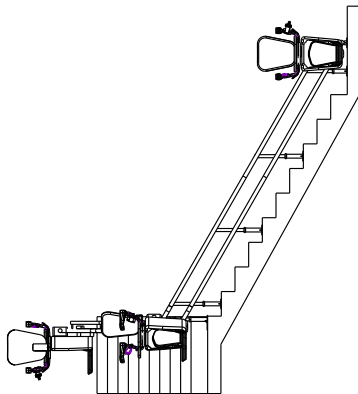
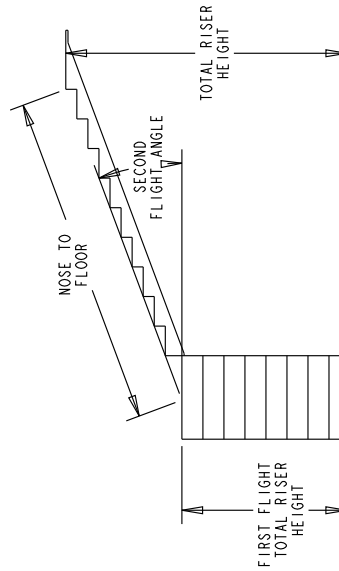
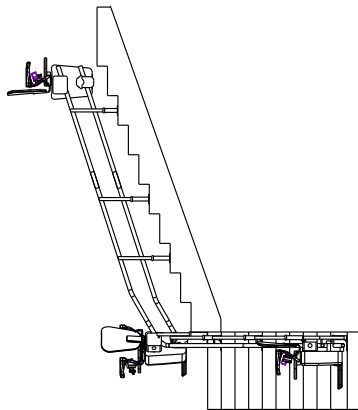
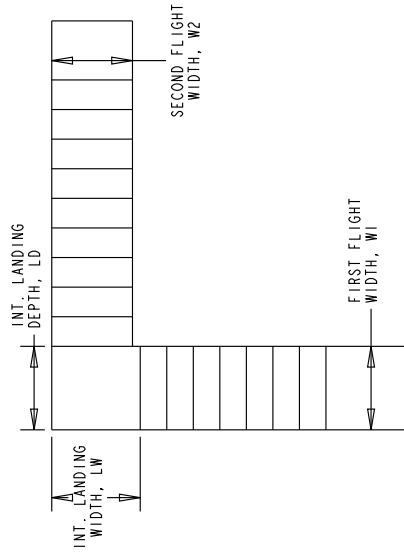
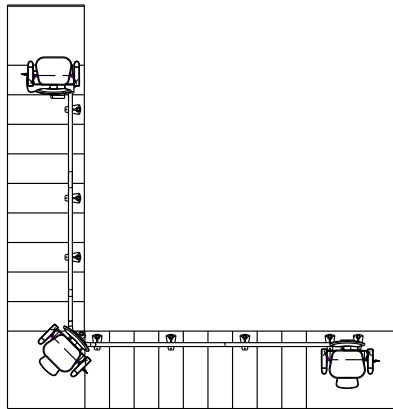
Spiral stair outside rail



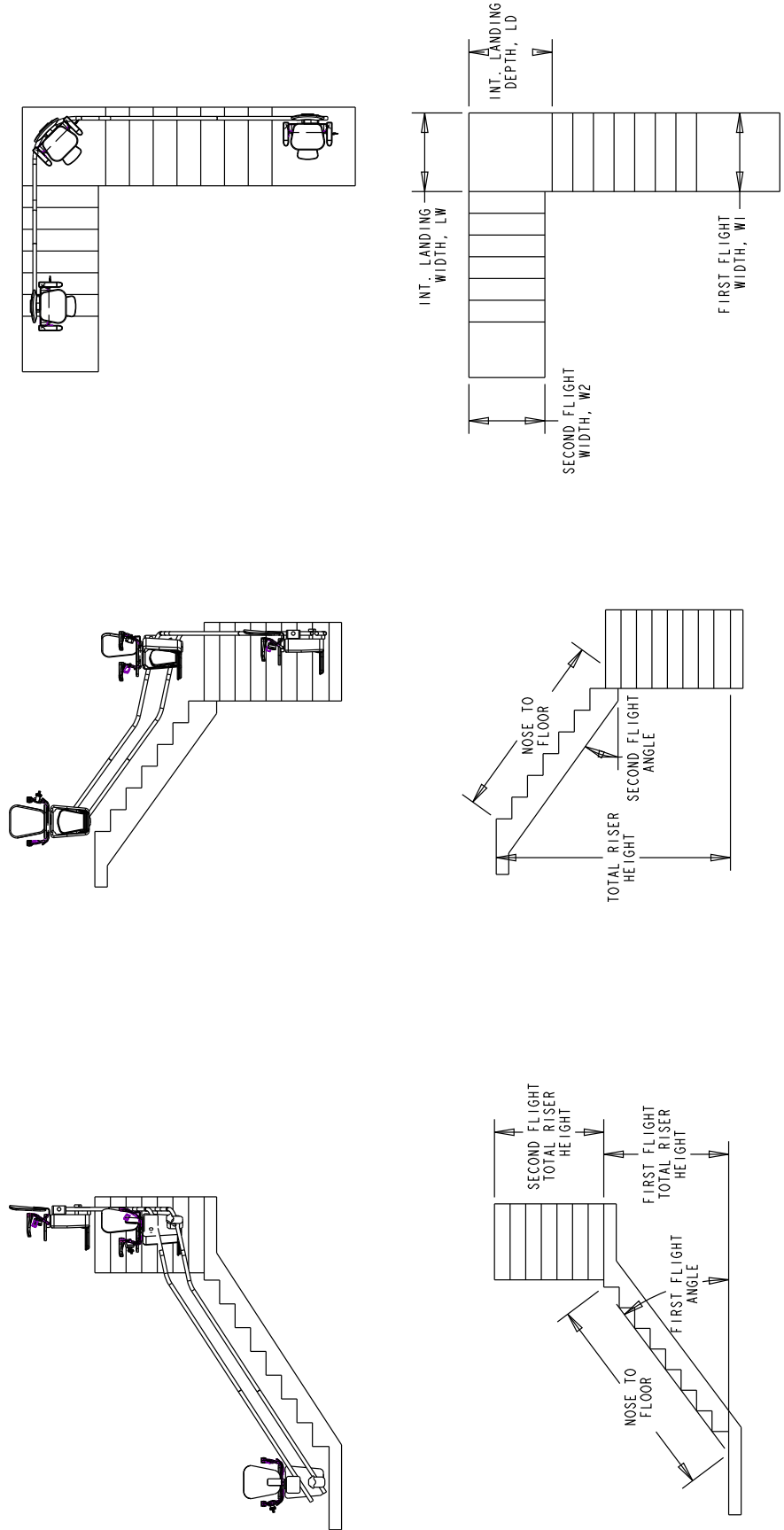
90 degree stair inside rail LH



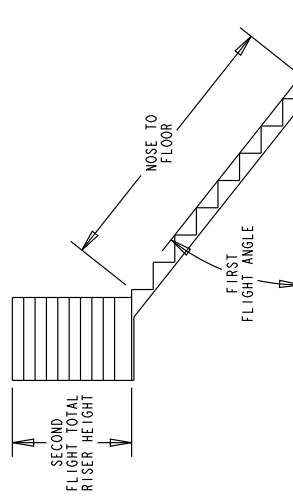
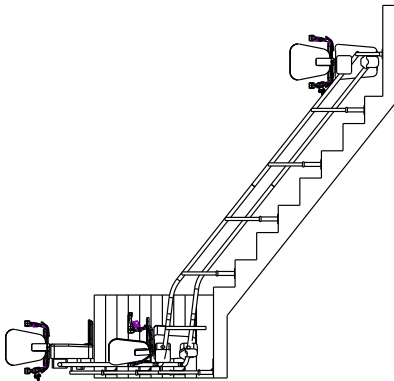
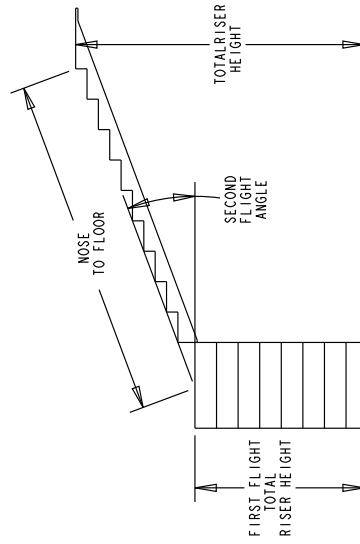
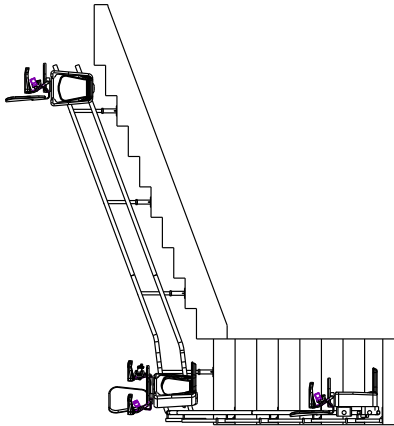
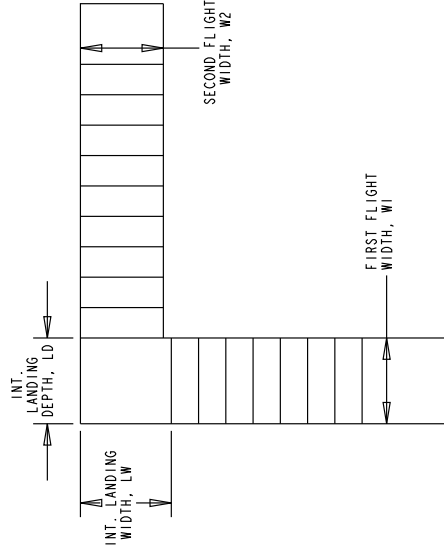
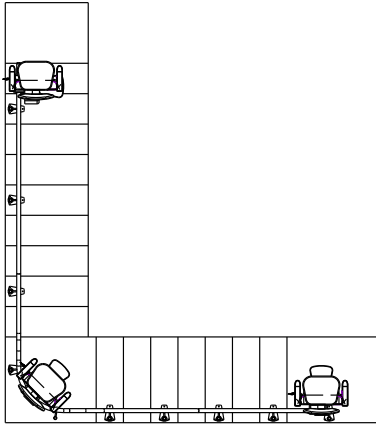
90 degree stair inside rail RH



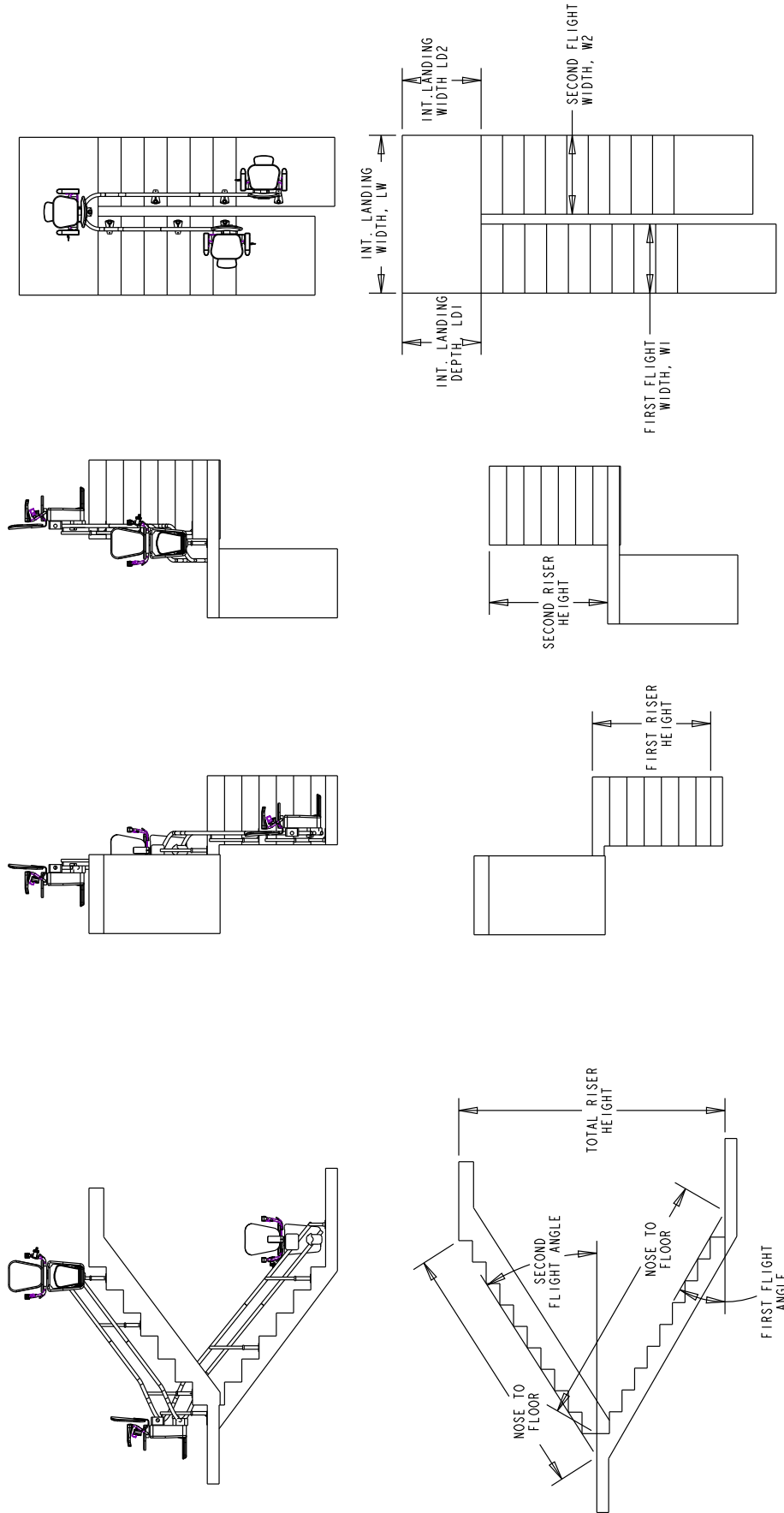
90 degree stair outside rail LH



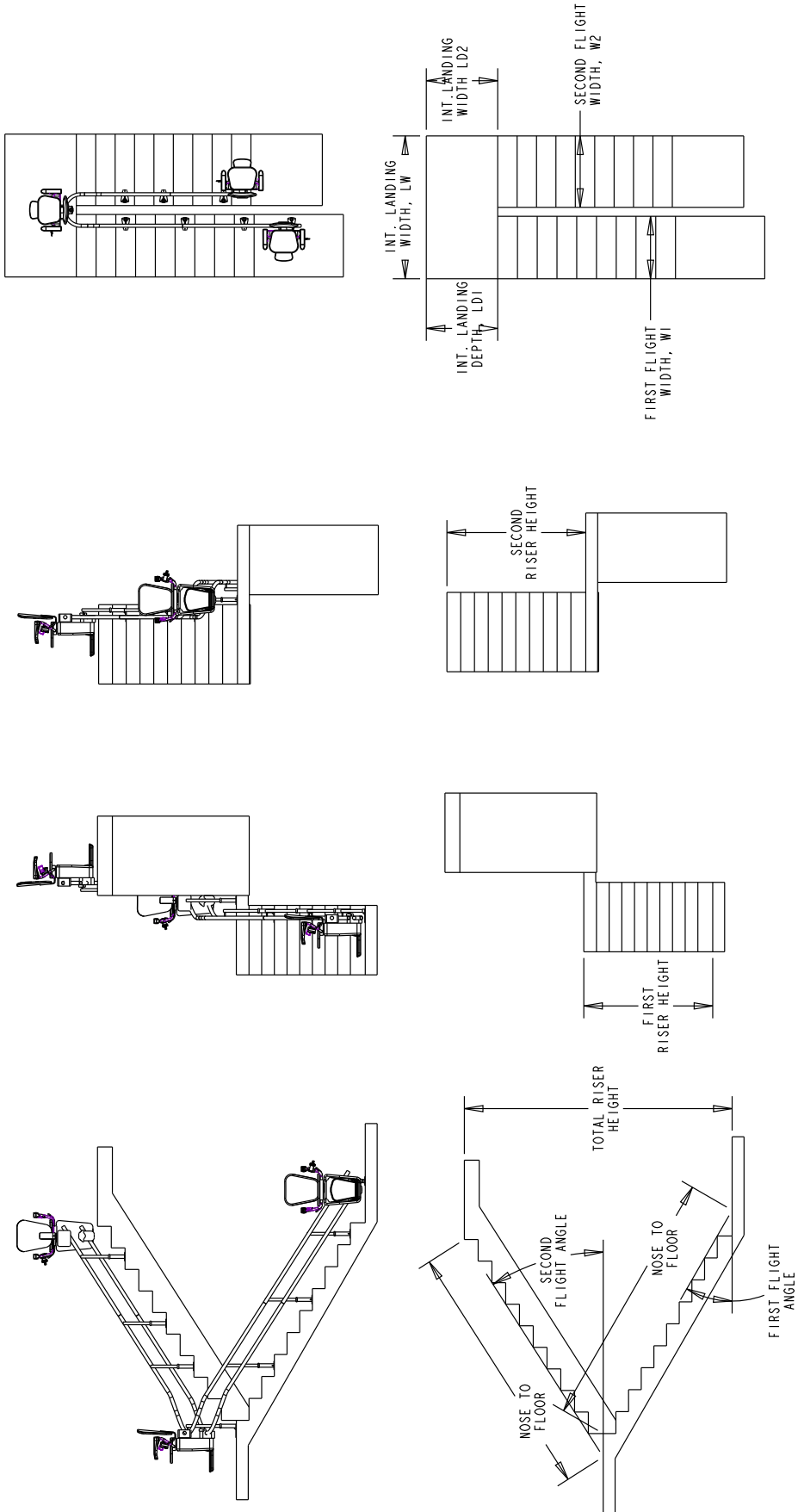
90 degree stair outside rail RH



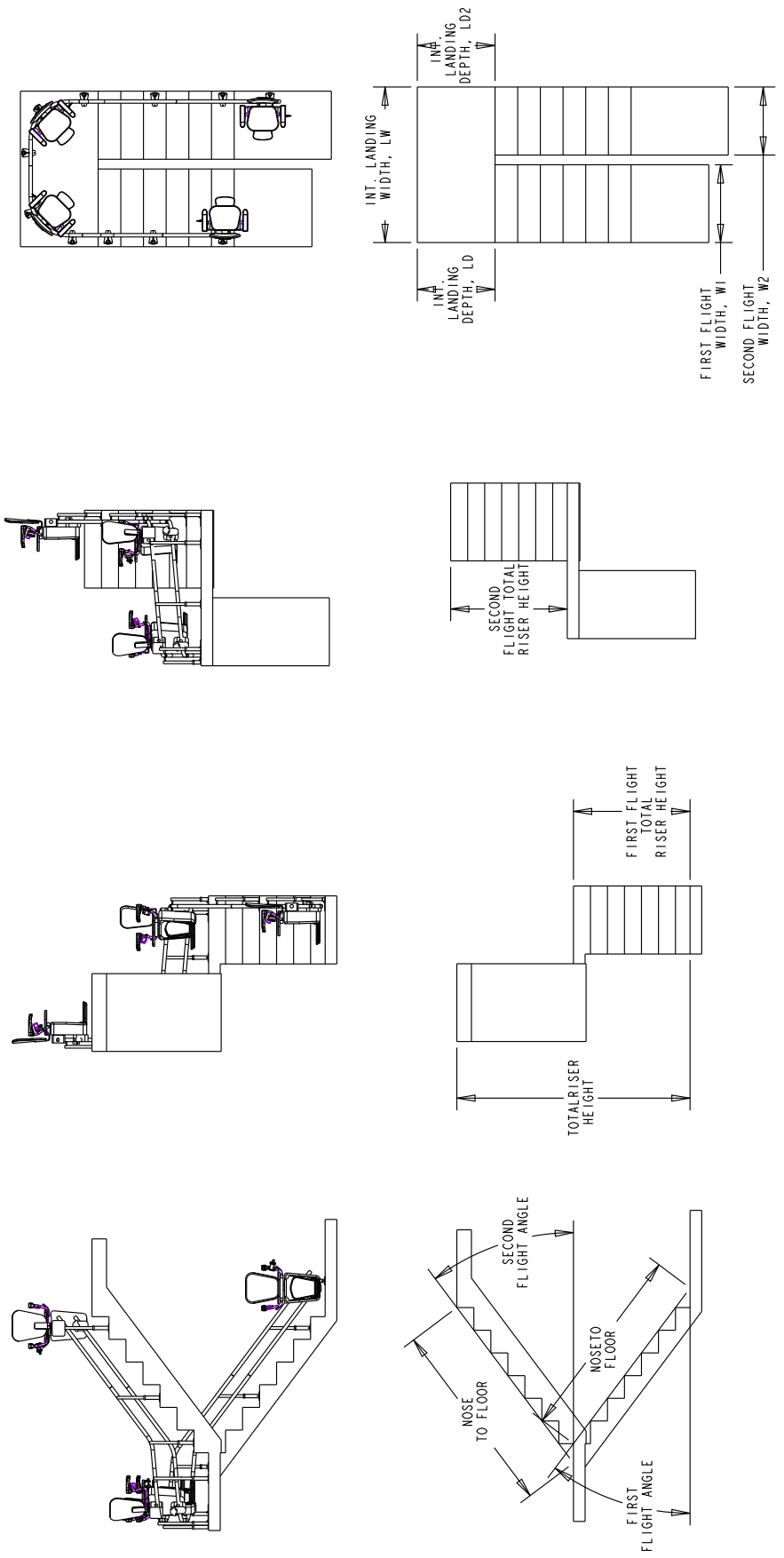
180 degree stair inside rail LH



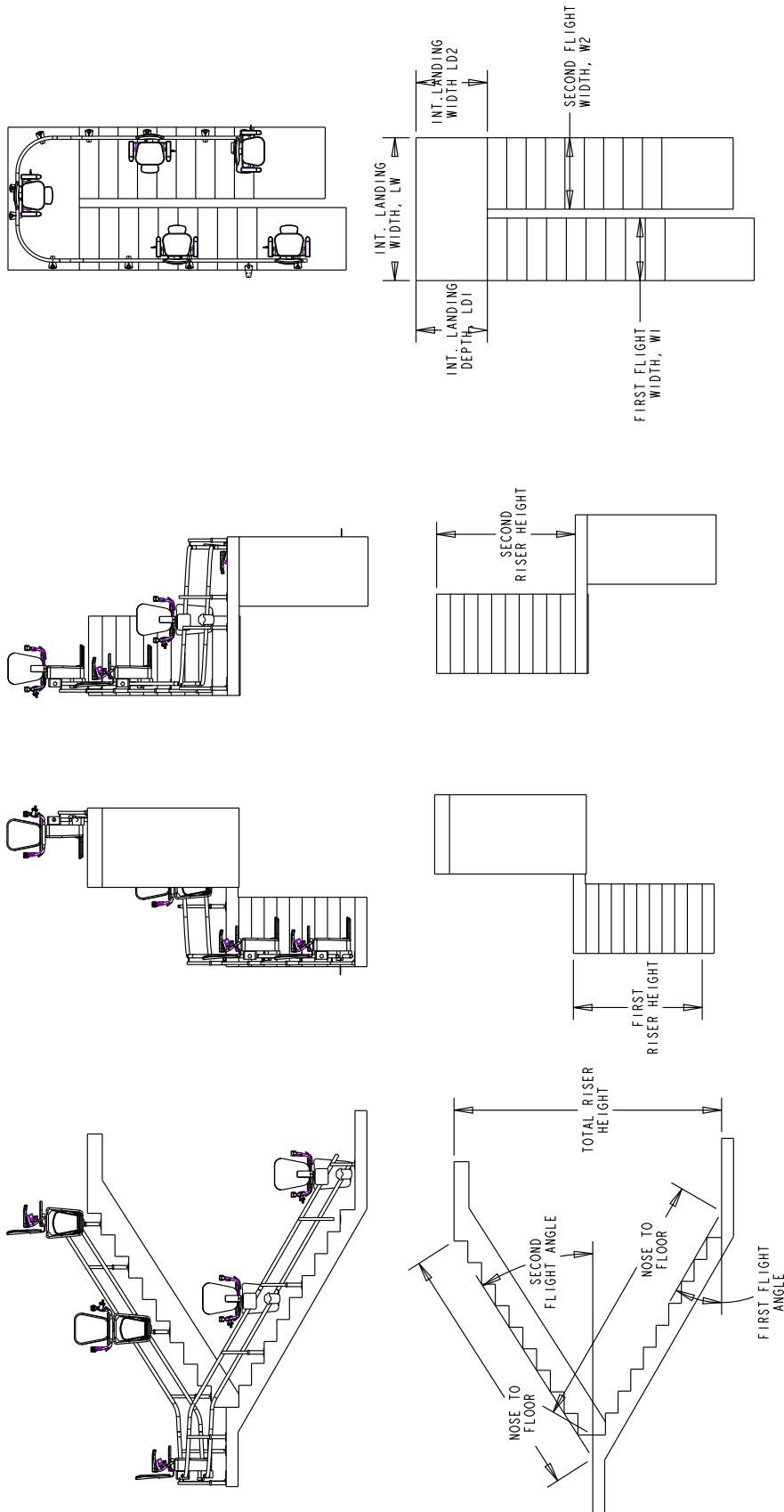
180 degree stair inside rail RH



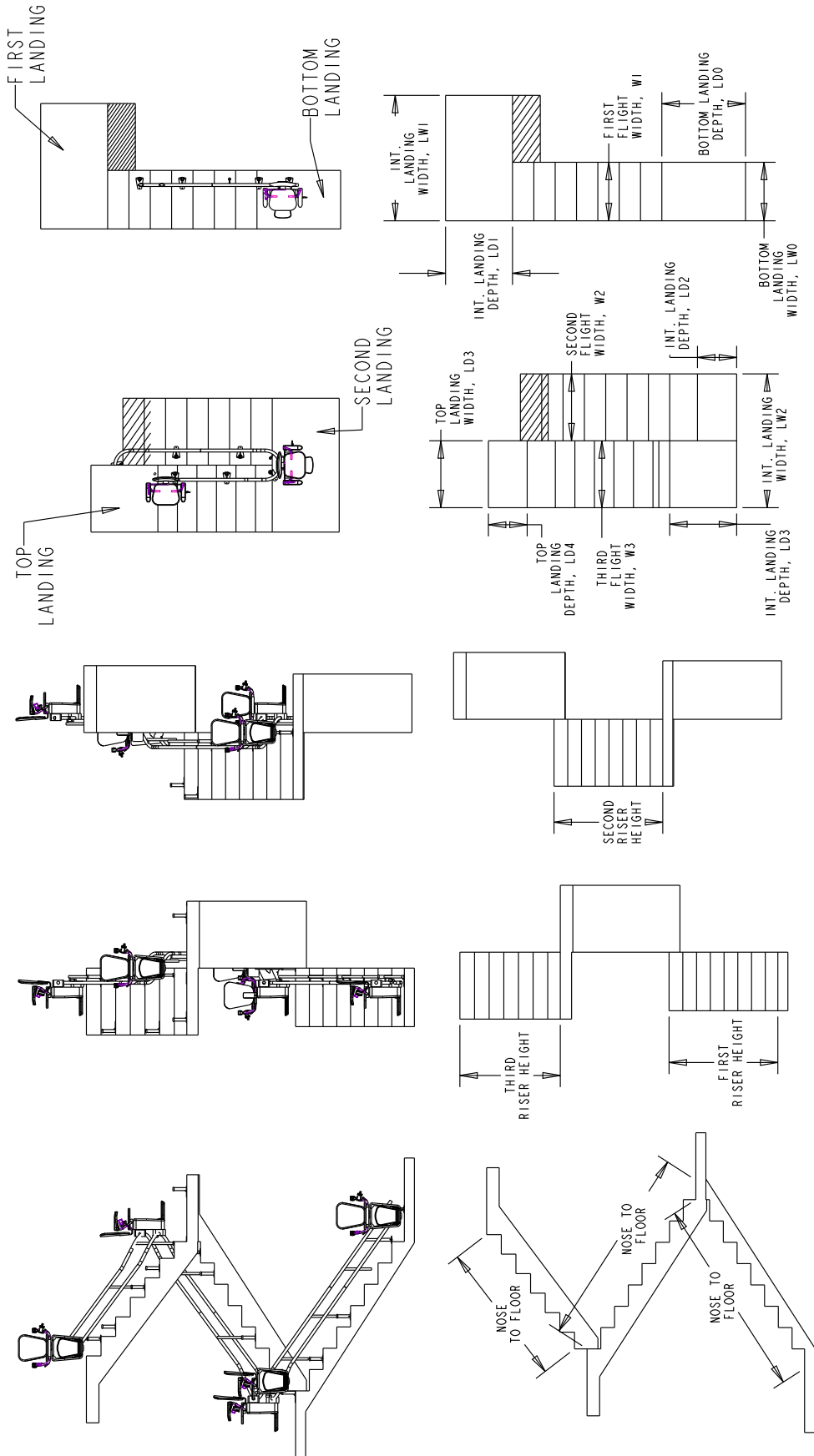
180 degree stair outside rail LH



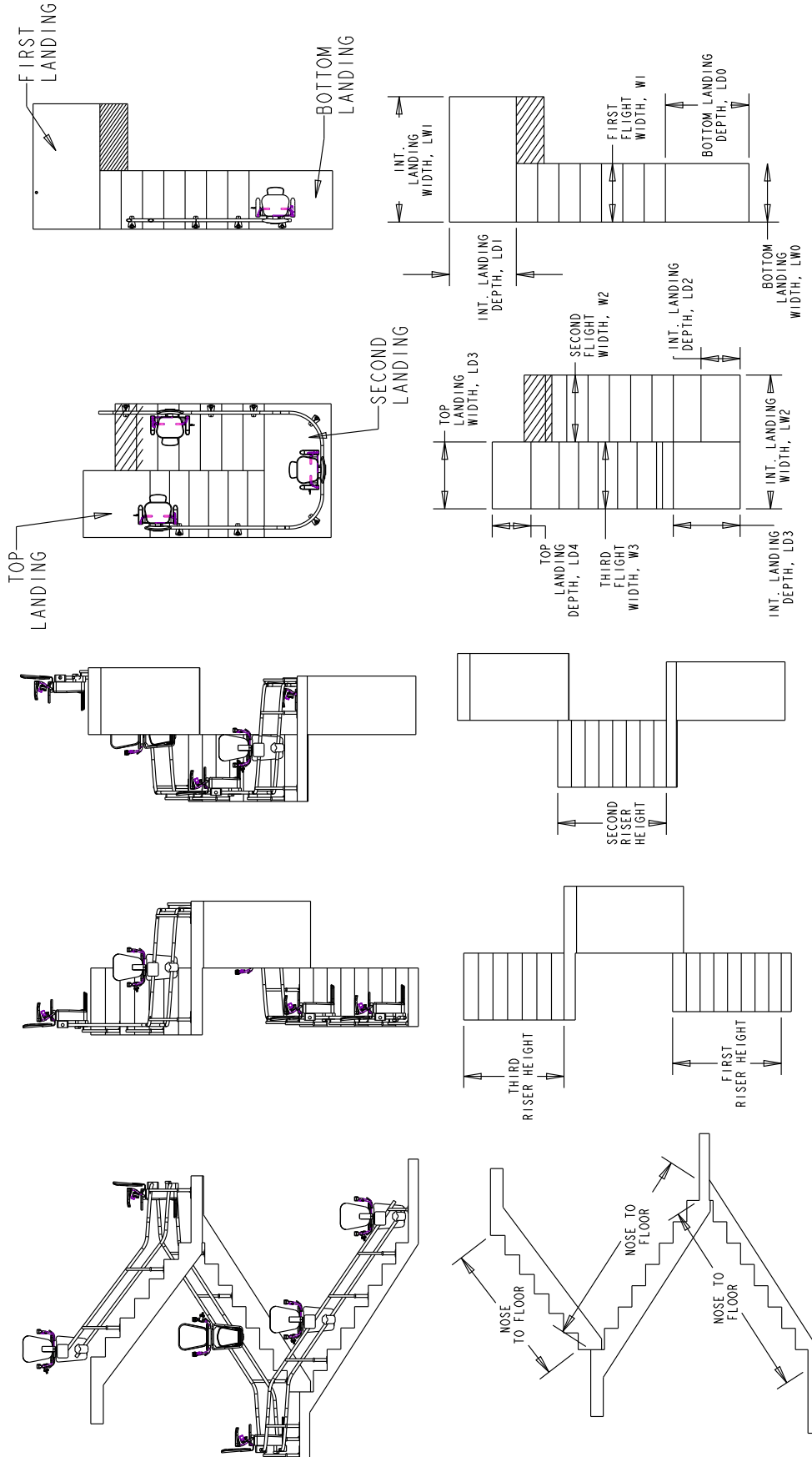
180 degree stair outside rail RH



180 degree stair 3 flights inside rail RH



180 degree stair 3 flights outside rail RH



Stairfriend Curved Stairlift PLANNING GUIDE

Part No. 000967
Copyright © 2018

Savaria Concord Lifts, Inc.
www.savaria.com

Sales
2 Walker Drive
Brampton, Ontario, L6T 5E1, Canada
Tel: (905) 791-5555
Fax: (905) 791-2222
Toll Free: 1-800-661-5112

